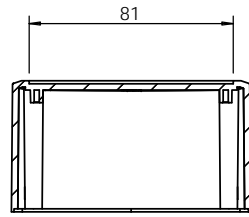


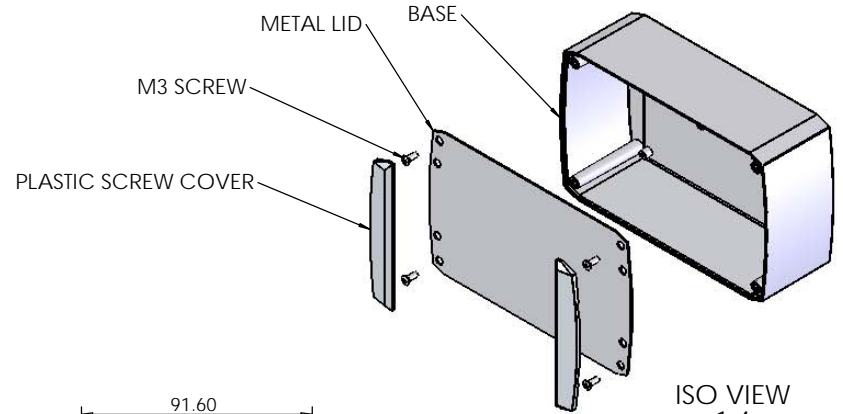
OVERALL ASSEMBLY DIMENSIONS:

EXTERNAL - 155 x 95 x 56.5

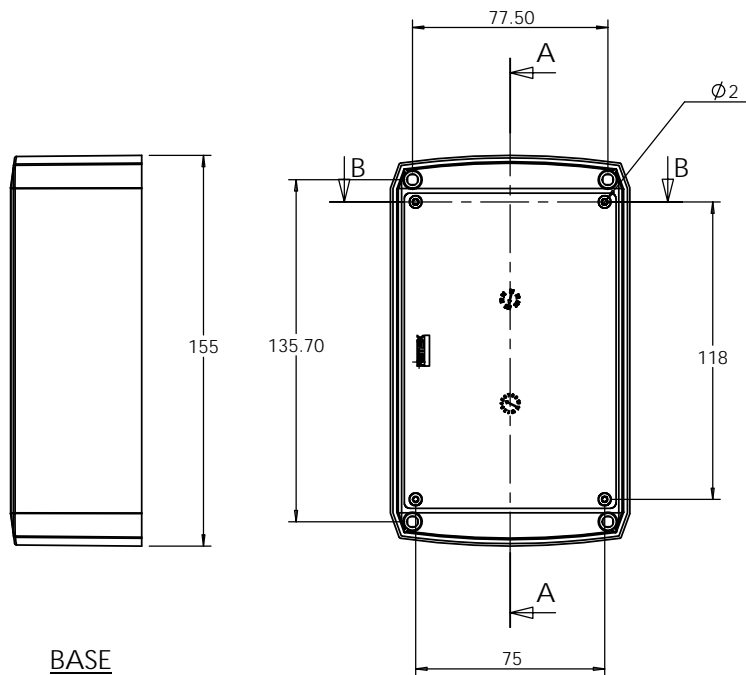
INTERNAL - 150 x 90 x 47.5



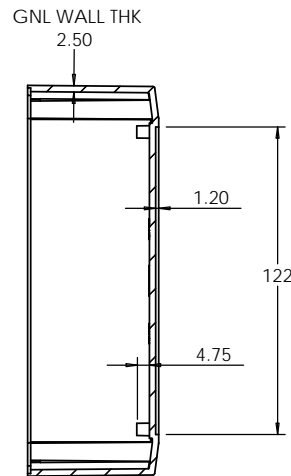
SECTION B-B



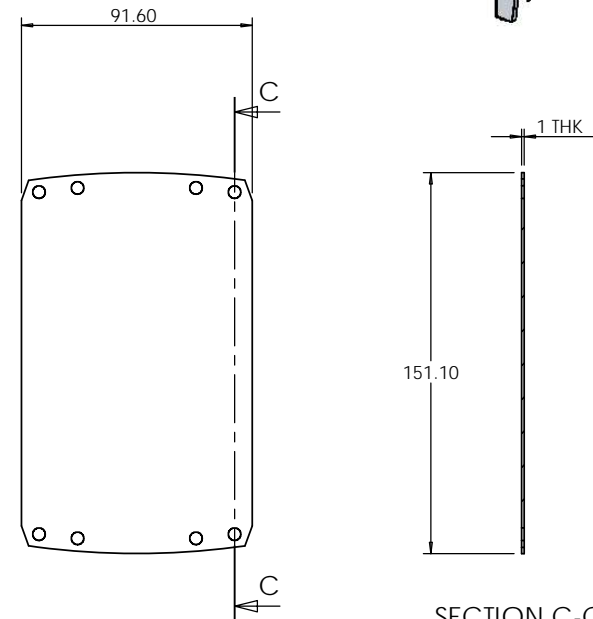
ISO VIEW
1:4



BASE

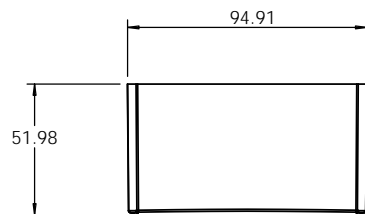


SECTION A-A



SECTION C-C

LID



<p>JAMES CARTER RD, MILDENHALL, SUFFOLK. IP28 7DE TEL: 01638 716101 FAX: 01638 716554 EMAIL: SALES@BOSS-ENCLOSURES.CO.UK WEB: www.BOSS-ENCLOSURES.CO.UK</p>				UNLESS OTHERWISE SPECIFIED: DIMENSIONS ARE IN MILLIMETERS		DO NOT SCALE DRAWING		REVISION. 0		
				FINISH: SMOOTH & ANODISED		TITLE: GNL ASSEMBLY DRG FOR 1103 SERIES - 33103004				
DRAWN S.HARDINGE		SIGNED SJH		DATE 02/07/08		MATERIAL. ABS & ALUMINIUM		DWG NO. 33103004		A4
CHK'D -		-		-		PROJECTION. 		SCALE. 1 : 3		SHEET 1 OF 1