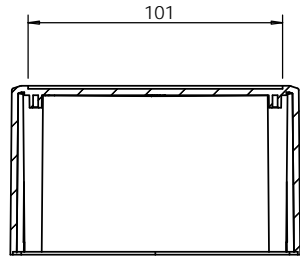


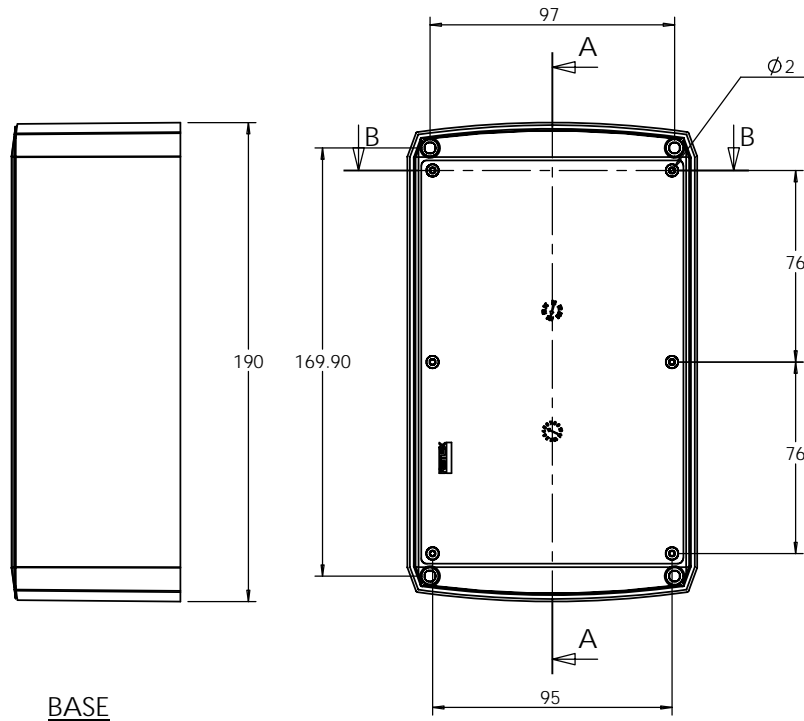
OVERALL ASSEMBLY DIMENSIONS:

EXTERNAL - 190 x 115 x 71.5

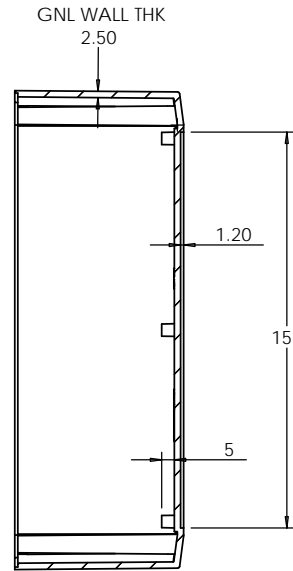
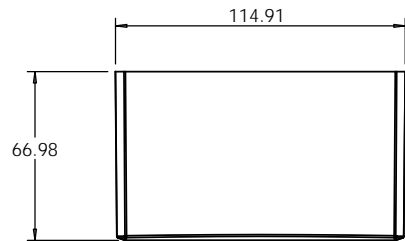
INTERNAL - 185 x 110 x 62.5



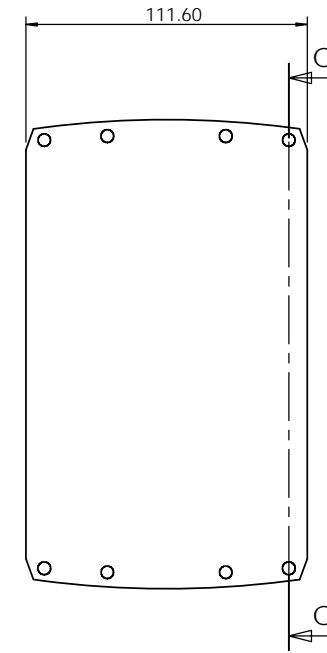
SECTION B-B



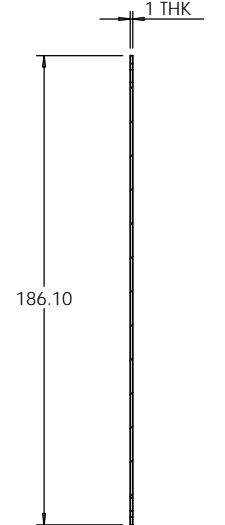
BASE



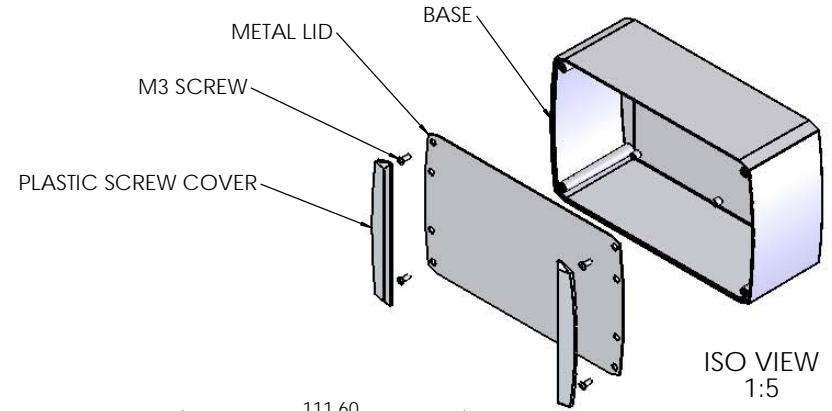
SECTION A-A




LID



SECTION C-C



ISO VIEW  
1:5

 JAMES CARTER RD, MILDENHALL, SUFFOLK. IP28 7DE TEL: 01638 716101 FAX: 01638 716554 EMAIL: SALES@BOSS-ENCLOSURES.CO.UK WEB: WWW.BOSS-ENCLOSURES.CO.UK				UNLESS OTHERWISE SPECIFIED: DIMENSIONS ARE IN MILLIMETERS		DO NOT SCALE DRAWING		REVISION. 0	
				FINISH: SMOOTH & ANODISED		TITLE: GNL ASSEMBLY DRG FOR 1103 SERIES - 33103005			
MATERIAL: ABS & ALUMINIUM		DWG NO. 33103005		A4					
DRAWN S.HARDINGE		SIGNED SJH		DATE 02/07/08		SCALE: 1:3		SHEET 1 OF 1	
CHK'D						PROJECTION.		