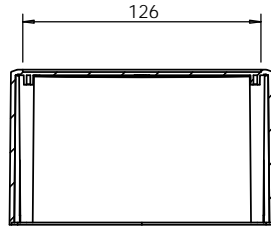


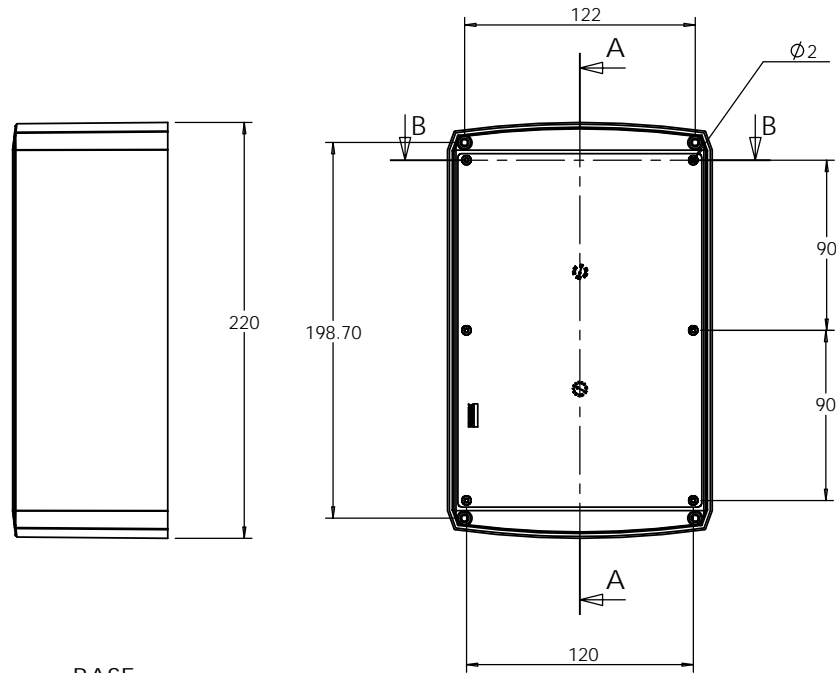
OVERALL ASSEMBLY DIMENSIONS:

EXTRENAL - 220 x 140 x 86.5

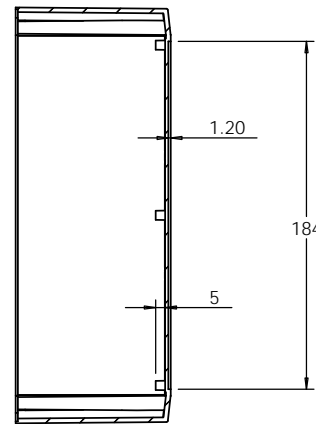
INTERNAL - 215 x 135 x 87.5



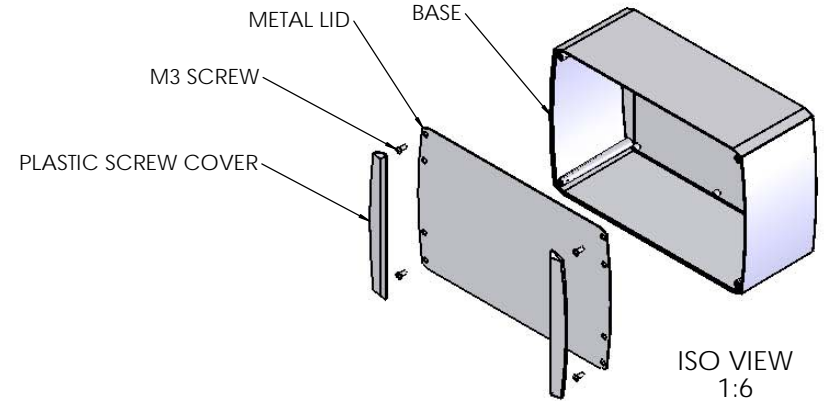
SECTION B-B



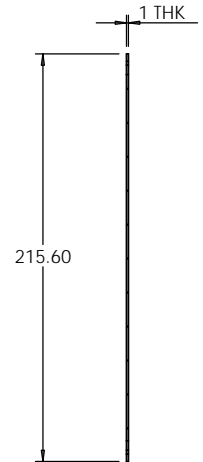
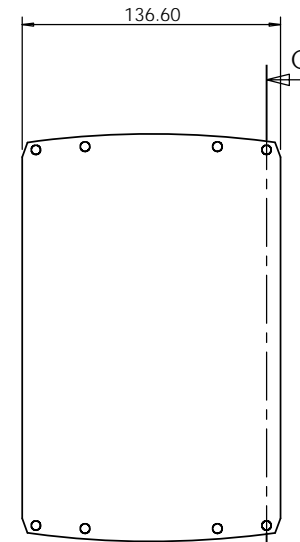
BASE



SECTION A-A

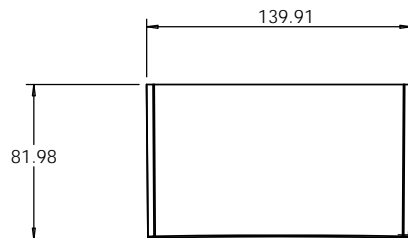


ISO VIEW  
1:6



SECTION C-C

LID



|   |  |               |  |  |  |  |  |                     |  |              |
|---|--|---------------|--|--|--|--|--|---------------------|--|--------------|
| <p>JAMES CARTER RD, MILDENHALL, SUFFOLK. IP28 7DE<br/>TEL: 01638 716101 FAX: 01638 716554<br/>EMAIL: SALES@BOSS-ENCLOSURES.CO.UK<br/>WEB: www.BOSS-ENCLOSURES.CO.UK</p> |  |               |  | UNLESS OTHERWISE SPECIFIED:<br>DIMENSIONS ARE IN MILLIMETERS |  | DO NOT SCALE DRAWING                                     |  | REVISION. 0         |  |              |
|   |  |               |  | FINISH:<br>SMOOTH &<br>ANODISED                              |  | TITLE:<br>GNL ASSEMBLY DRG FOR<br>1103 SERIES - 33103006 |  |                     |  |              |
| DRAWN<br>S.HARDINGE   |  | SIGNED<br>SJH |  | DATE<br>02/07/08   |  | MATERIAL.<br>ABS &<br>ALUMINIUM                          |  | DWG NO.<br>33103006 |  | A4           |
| CHK'D<br>-  |  | -             |  | -  |  | PROJECTION.<br>  |  | SCALE: 1 : 4        |  | SHEET 1 OF 1 |