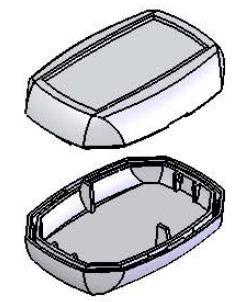
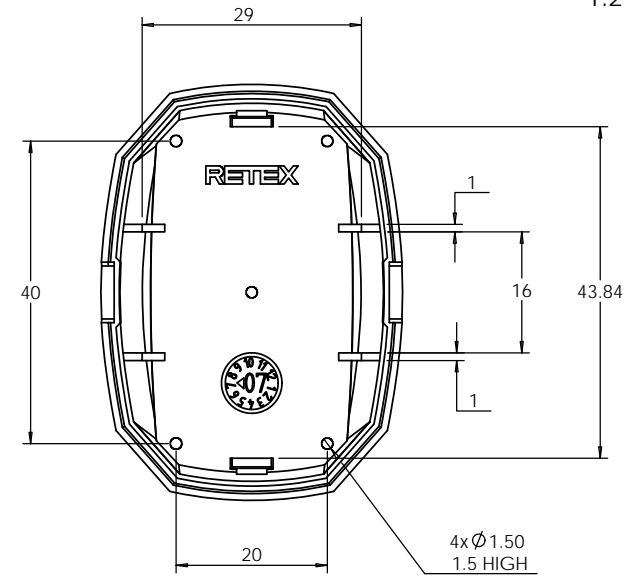
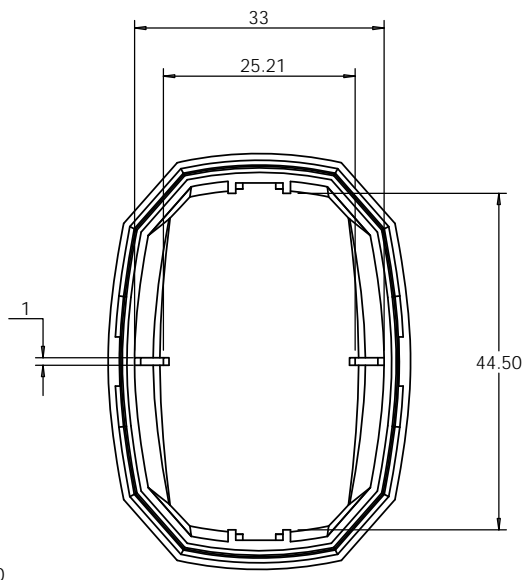
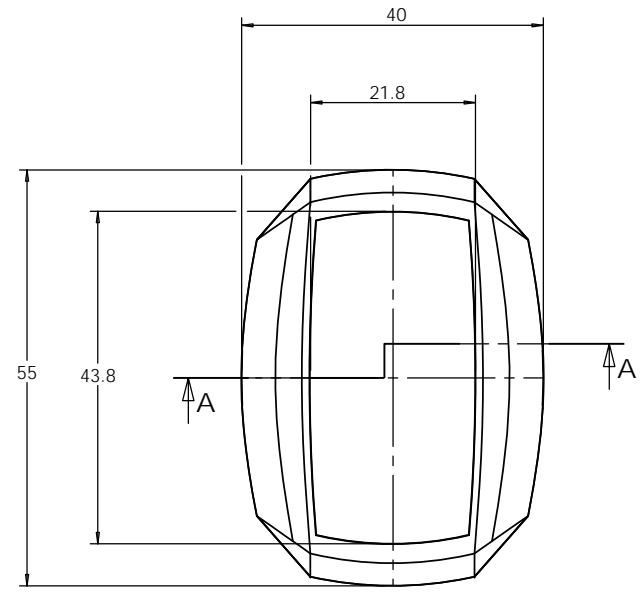


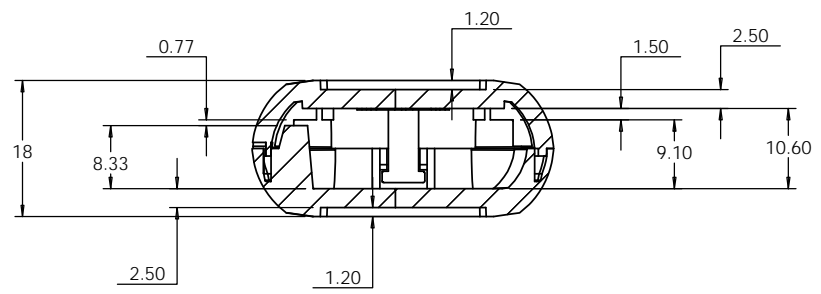
OVERALL ASSEMBLY DIMENSIONS:
 EXTERNAL - 55 x 40 x 18
 INTERNAL - 43.8 x 33 max (PCB 29) x 10.6



ISO VIEW
1:2



ASSEMBLY



LID

BASE

		UNLESS OTHERWISE SPECIFIED: DIMENSIONS ARE IN MILLIMETERS		DO NOT SCALE DRAWING	REVISION. 0
		FINISH: FINE SPARK		TITLE: GNL ASSEMBLY DRG FOR 31 SERIES - POCK BOX	
JAMES CARTER RD, MILDENHALL, SUFFOLK. IP28 7DE TEL: 01638 716101 FAX: 01638 716554 EMAIL: SALES@BOSS-ENCLOSURES.CO.UK WEB: www.BOSS-ENCLOSURES.CO.UK		MATERIAL: ABS	DWG NO. 33131001 & 33131201	A4	
DRAWN	S.HARDINGE	SJH	09/07/08	PROJECTION.	SCALE: 1:2
CHK'D	-	-	-	SHEET 1 OF 1	