

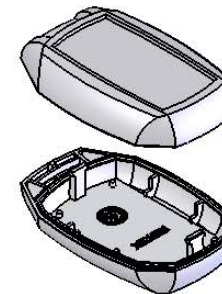
1 2 3 4 5 6

A
B
C
D

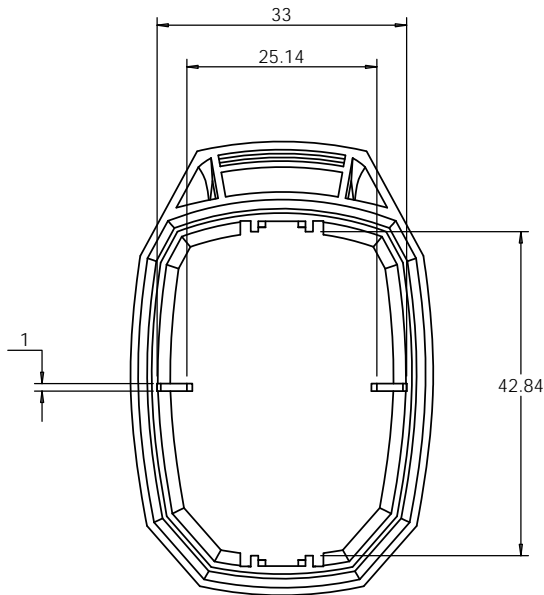
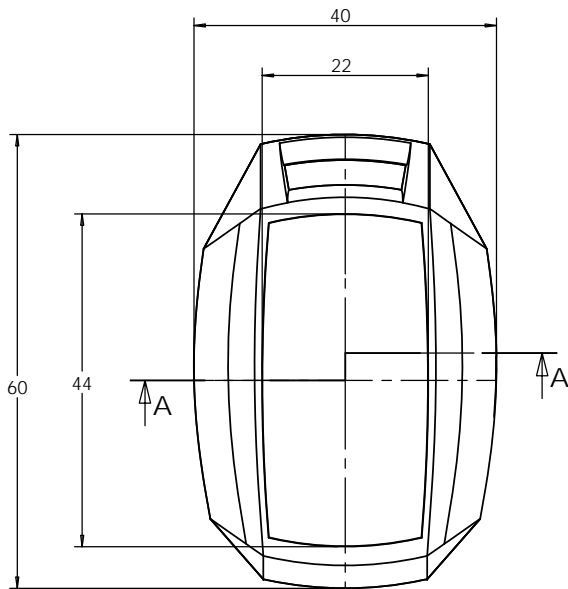
OVERALL ASSEMBLY DIMENSIONS:

EXTERNAL - 55 x 40 x 18

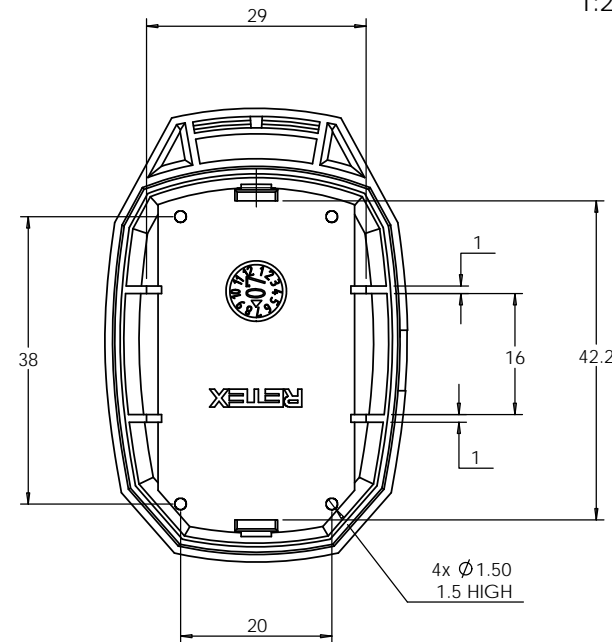
INTERNAL - 42 x 33 max (PCB 29) x 10.6



ISO VIEW
1:2

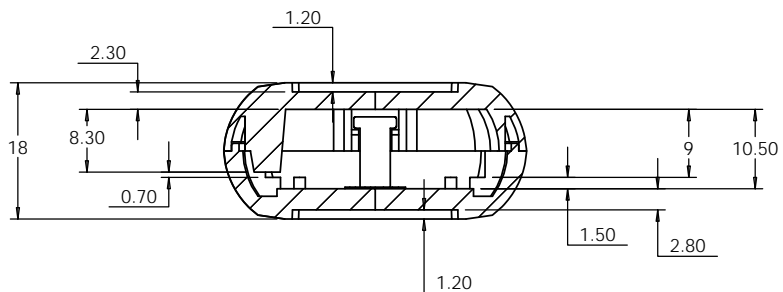


LID



BASE

ASSEMBLY



<p>JAMES CARTER RD, MILDENHALL, SUFFOLK. IP28 7DE TEL: 01638 716101 FAX: 01638 716554 EMAIL: SALES@BOSS-ENCLOSURES.CO.UK WEB: www.BOSS-ENCLOSURES.CO.UK</p>		UNLESS OTHERWISE SPECIFIED: DIMENSIONS ARE IN MILLIMETERS		DO NOT SCALE DRAWING	REVISION. 0	
		FINISH: FINE SPARK		TITLE: GNL ASSEMBLY DRG FOR FOR 31 SERIES - POCK BOX		
DRAWN	NAME S.HARDINGE	SIGNED SJH	DATE 23/07/08	MATERIAL. ABS	DWG NO. 33131002 & 33131202	
CHK'D	-	-	-	PROJECTION.	SCALE: 1:1	
					SHEET 1 OF 1	A4

1 2 3