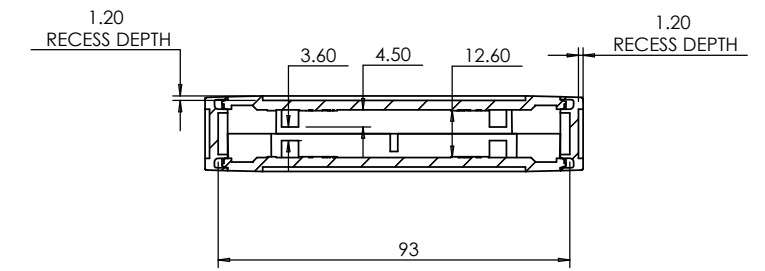
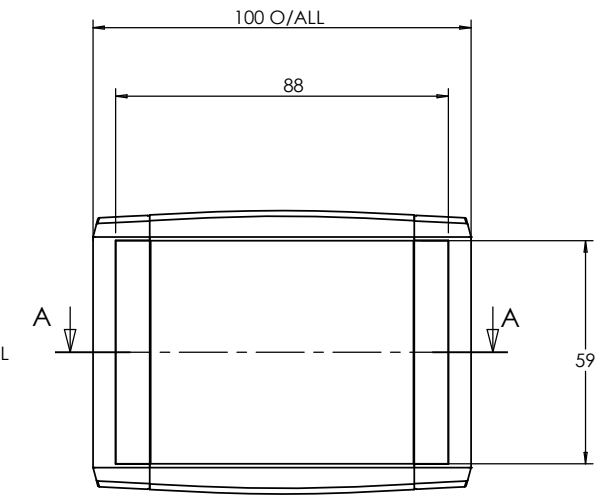
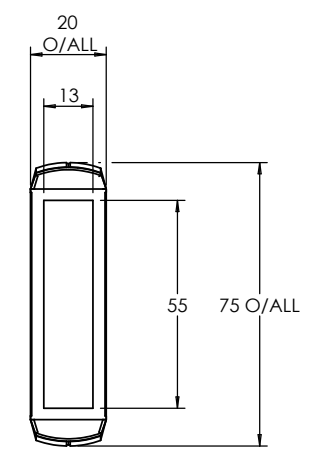
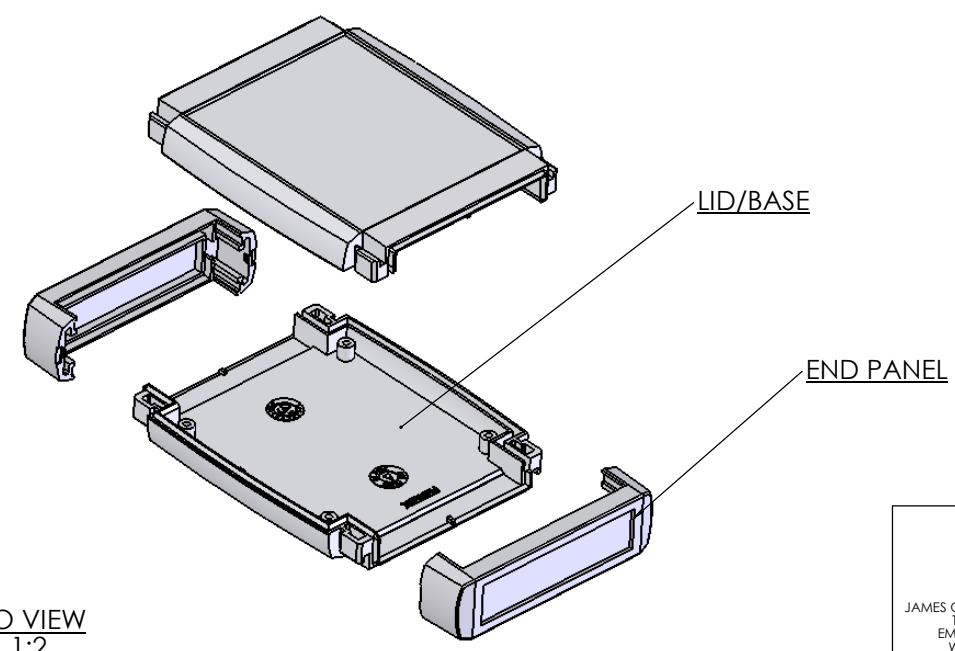


LID/BASE



SECTION A-A

ASSEMBLY



ISO VIEW
1:2

				UNLESS OTHERWISE SPECIFIED: DIMENSIONS ARE IN MILLIMETERS		DO NOT SCALE DRAWING		REVISION. 0	
				FINISH: LIGHT SPARK		TITLE: GNL ASSEMBLY DRG FOR 32 SERIES			
JAMES CARTER RD, MILDENHALL, SUFFOLK. IP28 7DE TEL: 01638 716101 FAX: 01638 716554 EMAIL: SALES@BOSS-ENCLOSURES.CO.UK WEB: www.BOSS-ENCLOSURES.CO.UK				MATERIAL: ABS		DWG NO. 33132002		A4	
DRAWN	NAME	SIGNED	DATE	PROJECTION.		SCALE: 1:2		SHEET 1 OF 1	
CHK'D	-	-	-						