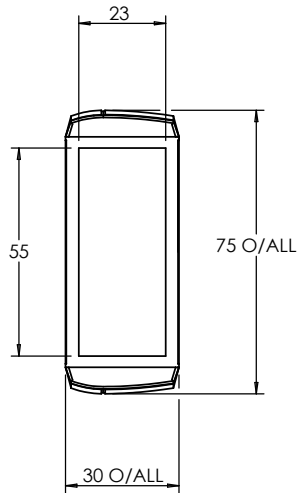
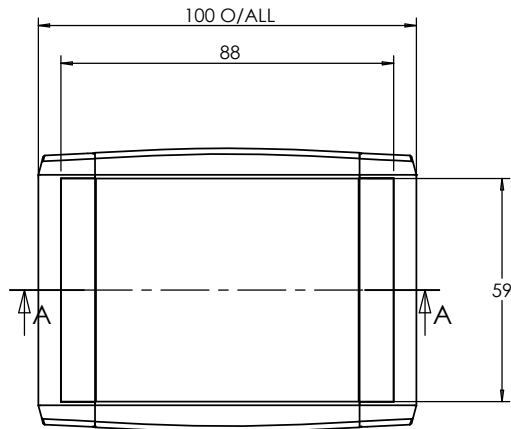


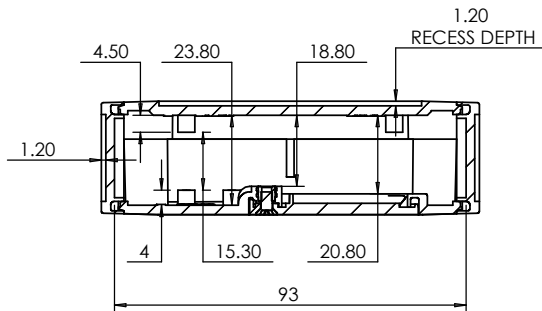
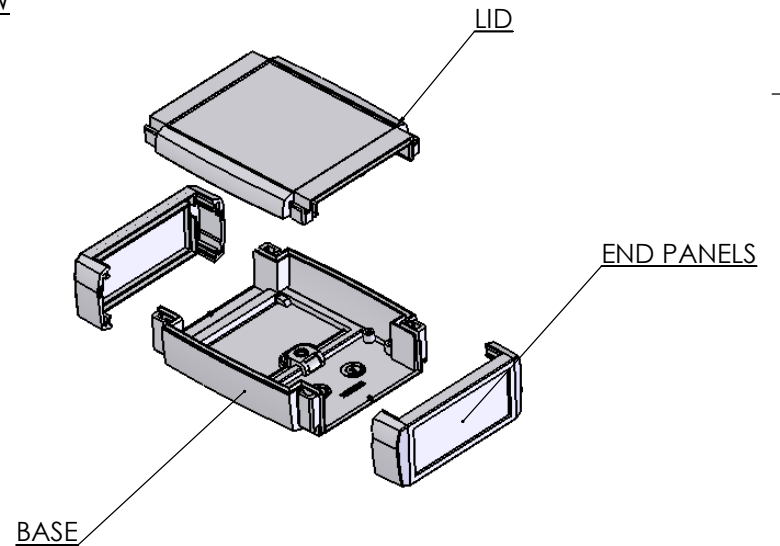
BASE

LID

ASSEMBLY



ISO VIEW
1:3



SECTION A-A

		UNLESS OTHERWISE SPECIFIED: DIMENSIONS ARE IN MILLIMETERS		DO NOT SCALE DRAWING	REVISION. 0
		FINISH: LIGHT SPARK		TITLE: GNL ASSEMBLY DRG FOR 32 SERIES	
JAMES CARTER RD, MILDENHALL, SUFFOLK. IP28 7DE TEL: 01638 716101 FAX: 01638 716554 EMAIL: SALES@BOSS-ENCLOSURES.CO.UK WEB: www.BOSS-ENCLOSURES.CO.UK		MATERIAL: ABS	DWG NO. 33132003	A4	
DRAWN L.SUBKHANKULOVA	SIGNED LS	DATE 17/12/08	PROJECTION. 	SCALE: 1:2	SHEET 1 OF 1