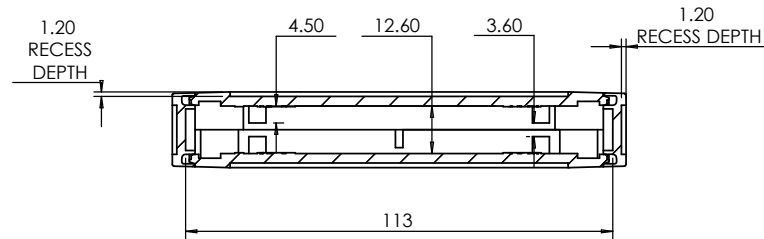
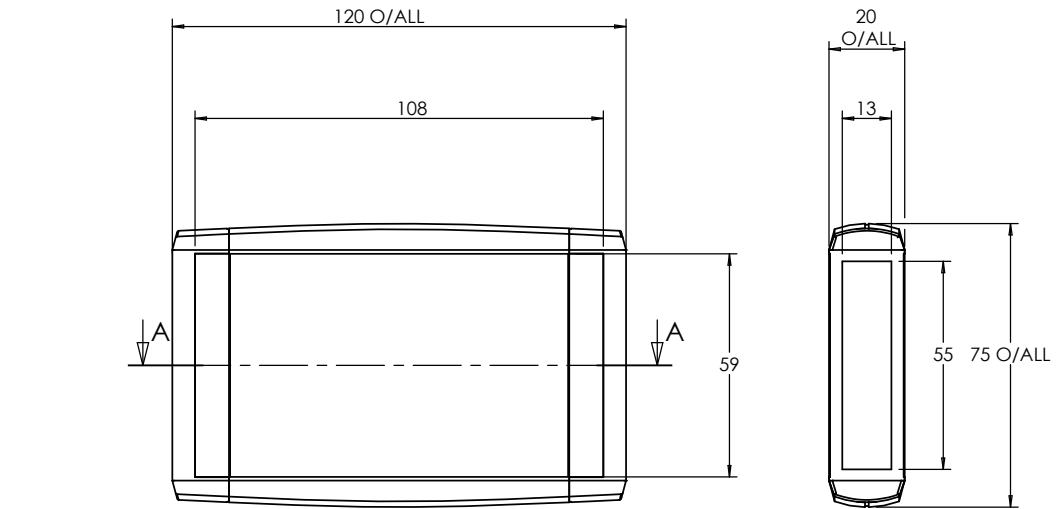
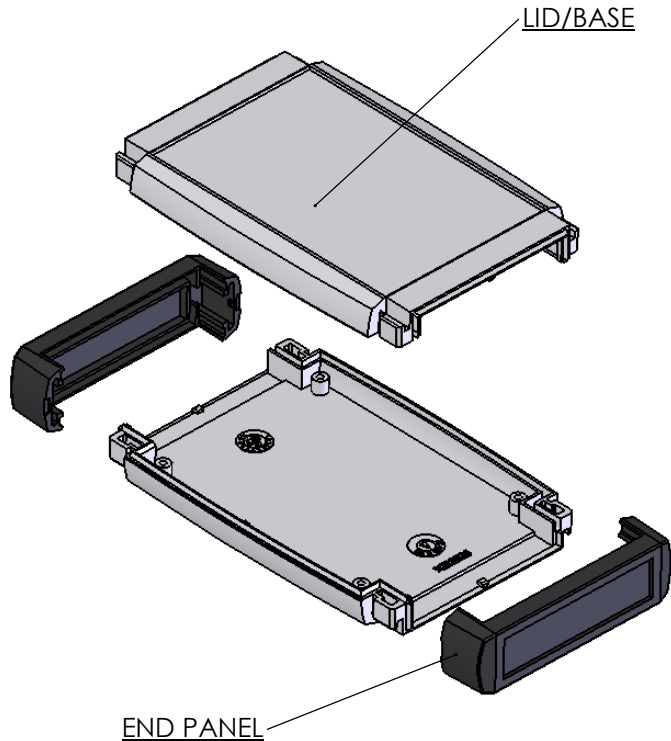


LID/BASE

ISO VIEW
1:2



SECTION A-A

ASSEMBLY

| | | | | | |
|---|--------------|--|----------------------------|---|--------------|
| | | UNLESS OTHERWISE SPECIFIED: DIMENSIONS ARE IN MILLIMETERS | | DO NOT SCALE DRAWING | REVISION. 0 |
| | | FINISH: LIGHT SPARK | | TITLE: GNL ASSEMBLT DRG FOR 32 SERIES | |
| JAMES CARTER RD, MILDENHALL, SUFFOLK. IP28 7DE TEL: 01638 716101 FAX: 01638 716554 EMAIL: SALES@BOSS-ENCLOSURES.CO.UK WEB: www.BOSS-ENCLOSURES.CO.UK | | MATERIAL: ABS | DWG NO. 33132004 | A4 | |
| DRAWN SUBKHANKULOVA | SIGNED LS | DATE 02/03/09 | PROJECTION. | SCALE: 1:2 | SHEET 1 OF 1 |