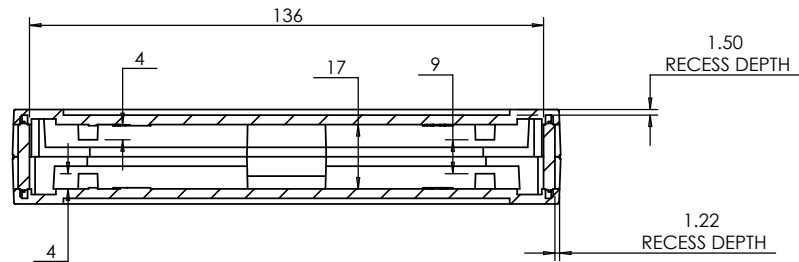
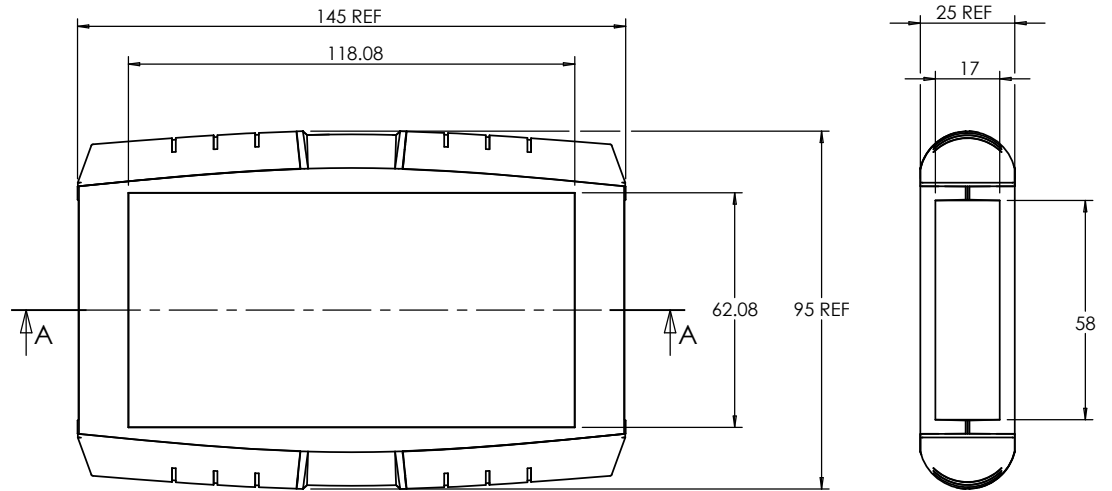
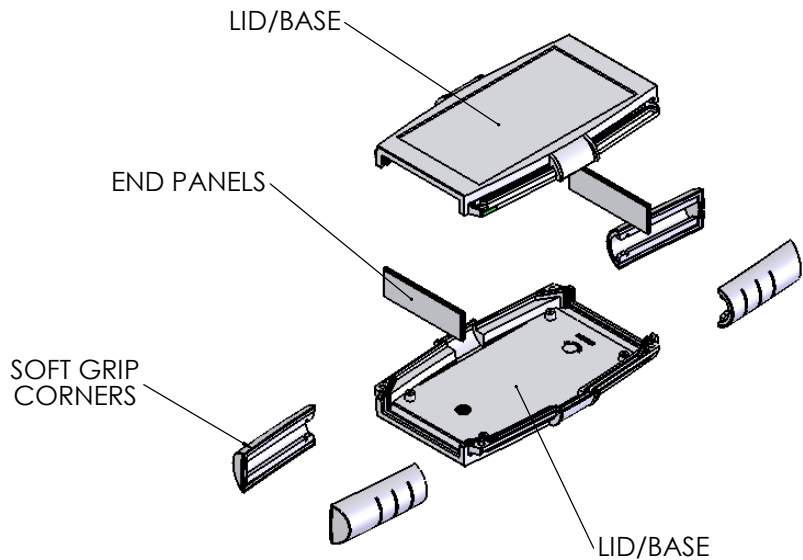


LID/BASE

ISO VIEW
1:5



SECTION A-A

ASSEMBLY

<p>JAMES CARTER RD, MILDENHALL, SUFFOLK. IP28 7DE TEL: 01638 716101 FAX: 01638 716554 EMAIL: SALES@BOSS-ENCLOSURES.CO.UK WEB: www.BOSS-ENCLOSURES.CO.UK</p>				UNLESS OTHERWISE SPECIFIED: DIMENSIONS ARE IN MILLIMETERS		DO NOT SCALE DRAWING		REVISION. 0		
				FINISH: LIGHT SPARK		TITLE: GNL ASSEMBLY DRG FOR 33 SERIES				
DRAWN: L.SUBKHANKULOVA		SIGNED: LS		DATE: 29/01/09		MATERIAL: VAR		DWG NO. 33133001		A4
CHK'D: STUART HARDINGE		SIGNED: SJH		DATE: 29/01/09		PROJECTION:		SCALE: 1 : 2		SHEET 1 OF 1