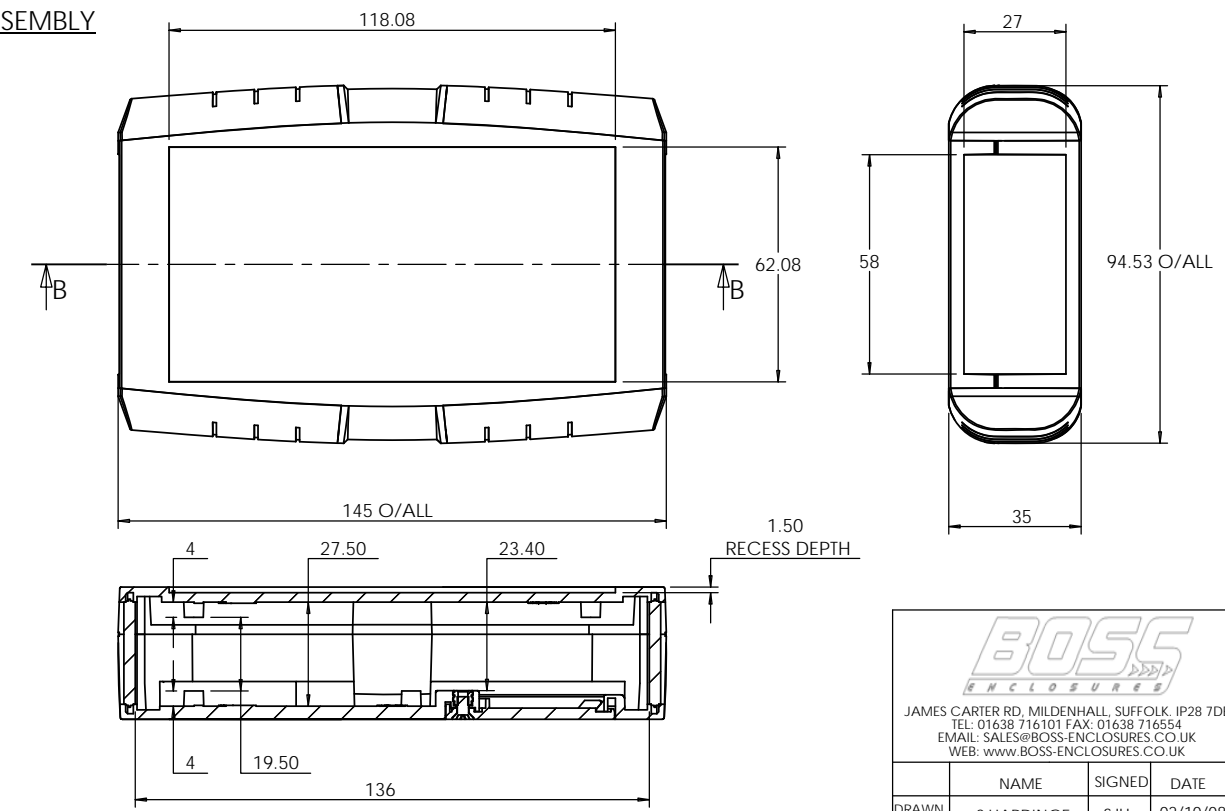


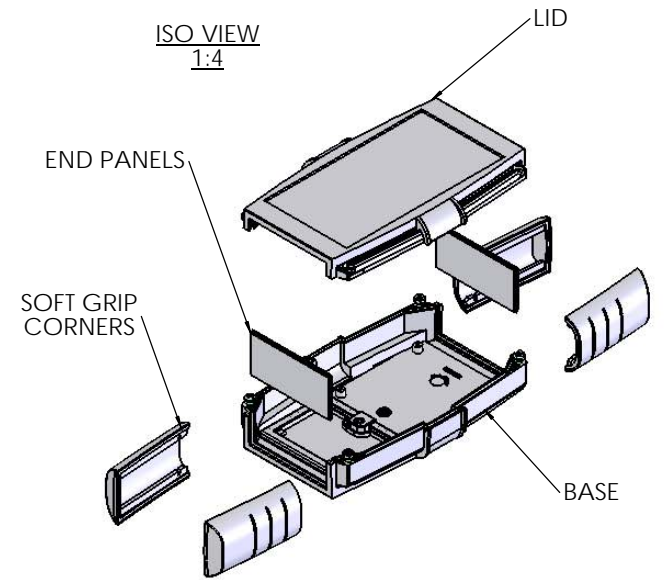
BASE

LID

ASSEMBLY



ISO VIEW  
1:4



		UNLESS OTHERWISE SPECIFIED: DIMENSIONS ARE IN MILLIMETERS		DO NOT SCALE DRAWING	REVISION. 0
		FINISH: <b>LIGHT SPRAK</b>		TITLE: <b>GNL ASSEMBLY DRG FOR 33 SERIES</b>	
JAMES CARTER RD, MILDENHALL, SUFFOLK. IP28 7DE TEL: 01638 716101 FAX: 01638 716554 EMAIL: SALES@BOSS-ENCLOSURES.CO.UK WEB: www.BOSS-ENCLOSURES.CO.UK		MATERIAL: <b>VAR</b>	DWG NO. <b>33133002</b>	<b>A4</b>	
DRAWN S.HARDINGE	SIGNED SJH	DATE 02/10/08	PROJECTION. 	SCALE: 1:2	SHEET 1 OF 1