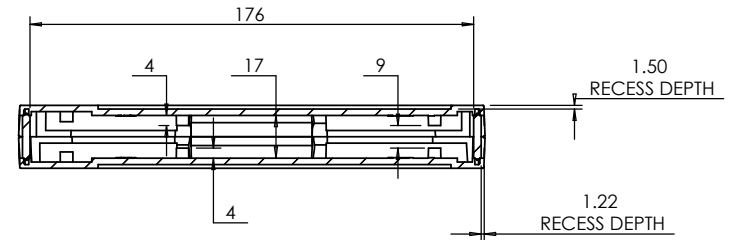
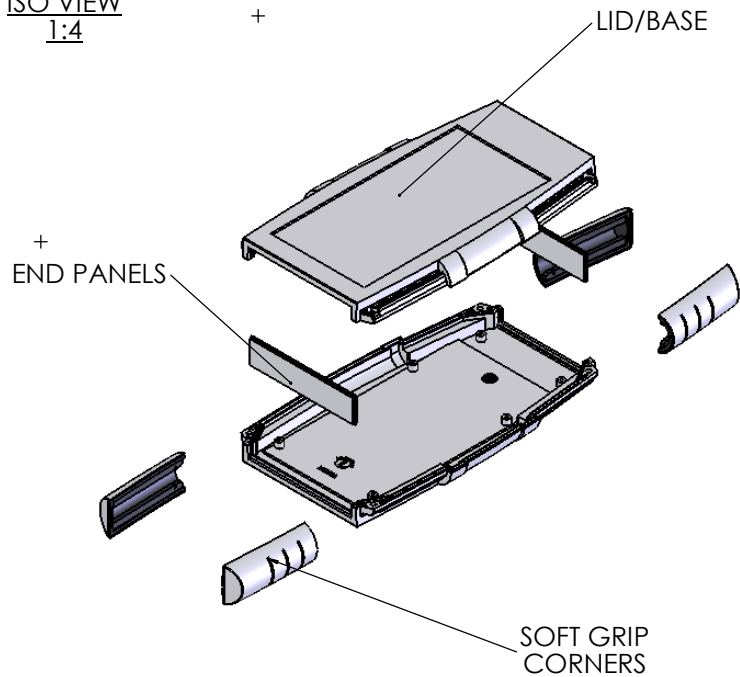


ISO VIEW
1:4



SECTION A-A

ASSEMBLY

<p>JAMES CARTER RD, MILDENHALL, SUFFOLK. IP28 7DE TEL: 01638 716101 FAX: 01638 716554 EMAIL: SALES@BOSS-ENCLOSURES.CO.UK WEB: www.BOSS-ENCLOSURES.CO.UK</p>				UNLESS OTHERWISE SPECIFIED: DIMENSIONS ARE IN MILLIMETERS		DO NOT SCALE DRAWING		REVISION. 0		
				FINISH: LIGHT SPARK		TITLE: GNL ASSEMBLY DRG FOR 33 SERIES				
DRAWN L. SUBKHANKULOVA		SIGNED LS		DATE 29/01/09		MATERIAL. VAR		DWG NO. 33133003		A4
CHK'D STUART HARDINGE		SIGNED SJH		DATE 29/01/09		PROJECTION. FIRST ANGLE		SCALE: 1 : 3		SHEET 1 OF 1