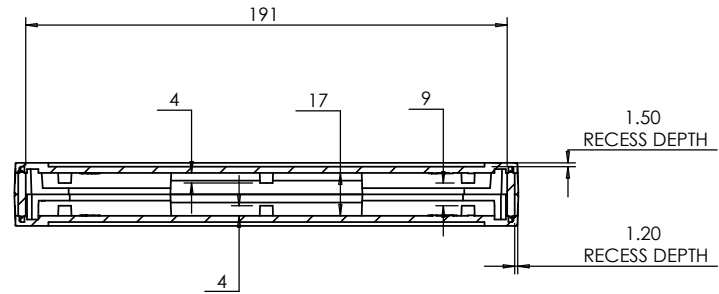
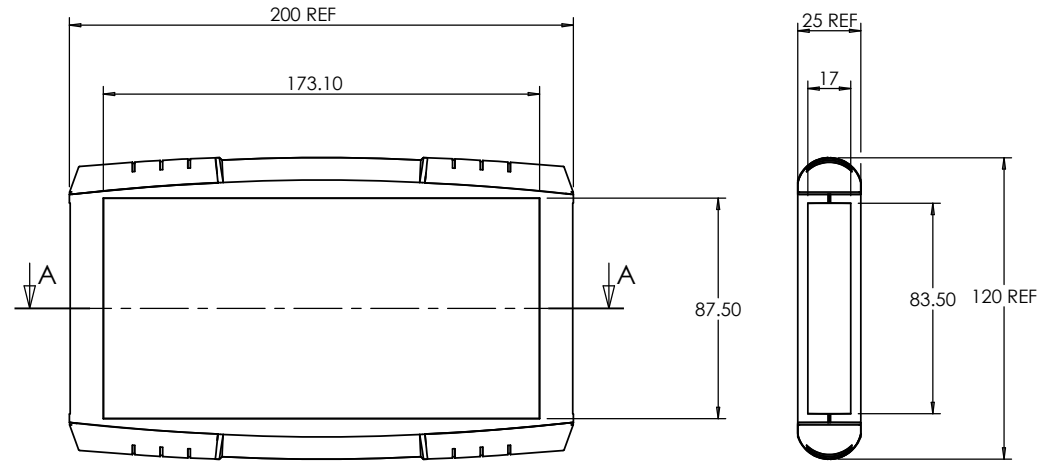
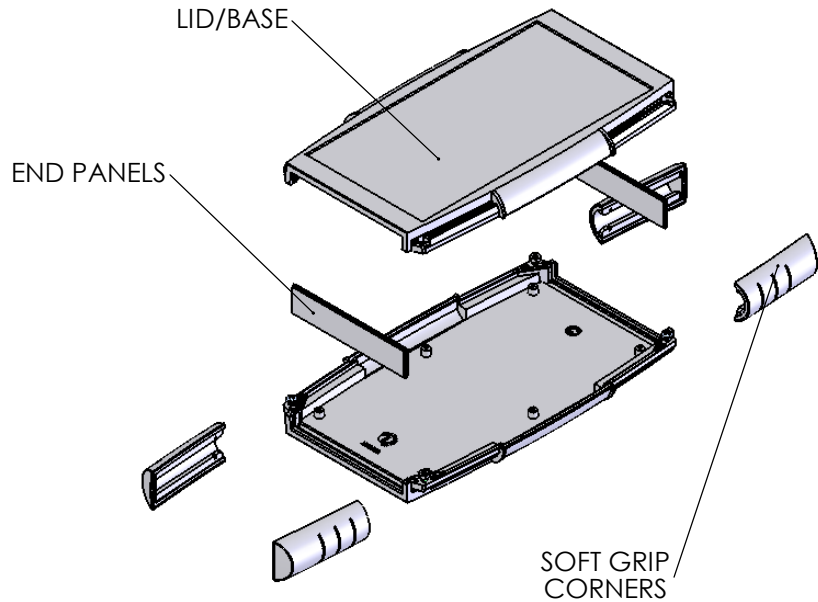


LID/BASE

ISO VIEW
1:4



SECTION A-A

ASSEMBLY

		UNLESS OTHERWISE SPECIFIED: DIMENSIONS ARE IN MILLIMETERS		DO NOT SCALE DRAWING	REVISION. 0
		FINISH: LIGHT SPARK		TITLE: GNL ASSEMBLY DRG FOR 33 SERIES	
JAMES CARTER RD, MILDENHALL, SUFFOLK. IP28 7DE TEL: 01638 716101 FAX: 01638 716554 EMAIL: SALES@BOSS-ENCLOSURES.CO.UK WEB: www.BOSS-ENCLOSURES.CO.UK		MATERIAL. VAR	DWG NO. 33133005		A4
DRAWN L. SUBKHANKULOVA	SIGNED LS	DATE 29/01/09	PROJECTION. 	SCALE: 1 : 3	SHEET 1 OF 1