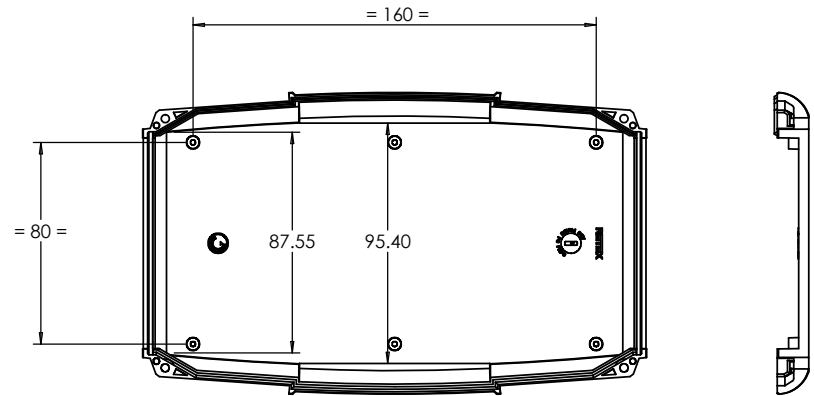
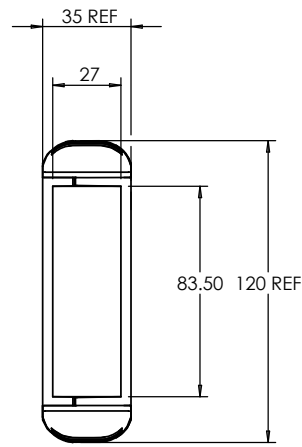
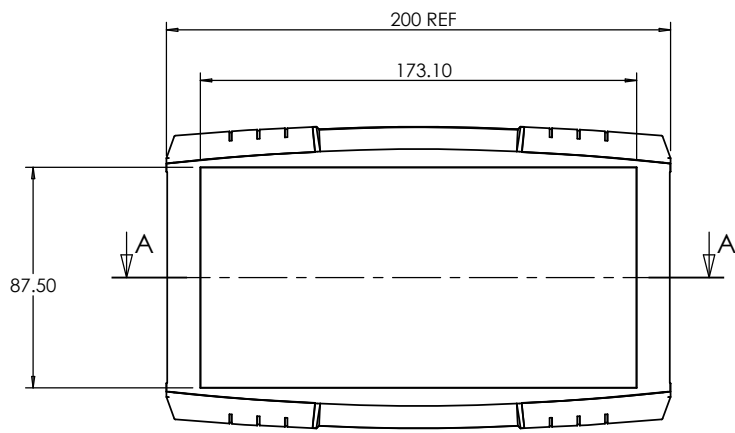


BASE

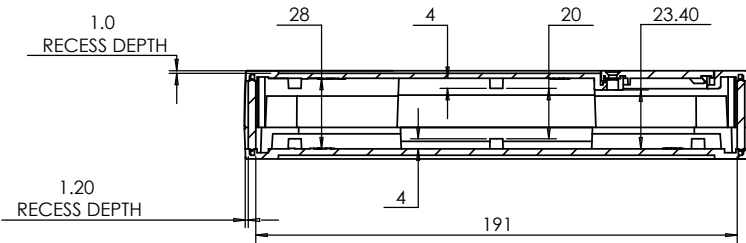
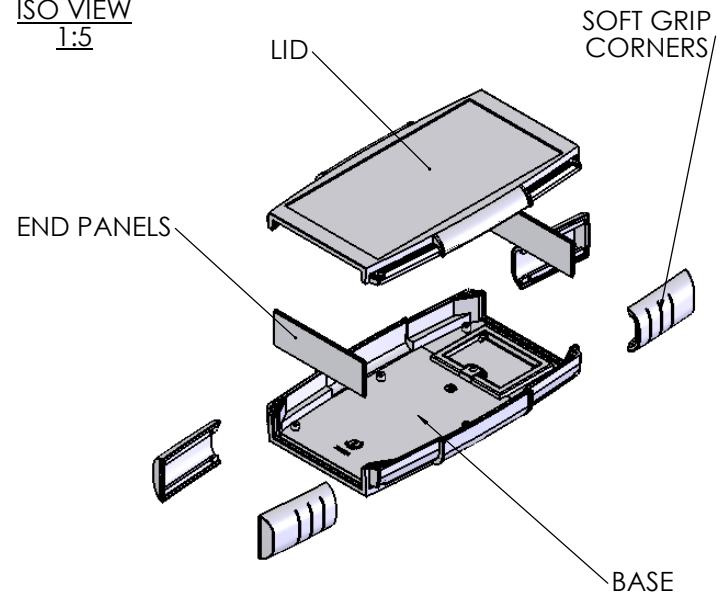


LID

ASSEMBLY



ISO VIEW
1:5



SECTION A-A

		UNLESS OTHERWISE SPECIFIED: DIMENSIONS ARE IN MILLIMETERS		DO NOT SCALE DRAWING	REVISION. 0
		FINISH: LIGHT SPARK		TITLE: GNL ASSEMBLY DRG FOR 33 SERIES	
JAMES CARTER RD, MILDENHALL, SUFFOLK. IP28 7DE TEL: 01638 716101 FAX: 01638 716554 EMAIL: SALES@BOSS-ENCLOSURES.CO.UK WEB: www.BOSS-ENCLOSURES.CO.UK		MATERIAL: VAR	DWG NO.	33133006	
DRAWN L. SUBKHANKULOVA	SIGNED LS	DATE 20/01/09	PROJECTION.	SCALE: 1 : 3	SHEET 1 OF 1
CHK'D STUART HARDINGE	SIGNED SJH	DATE 20/01/09			A4