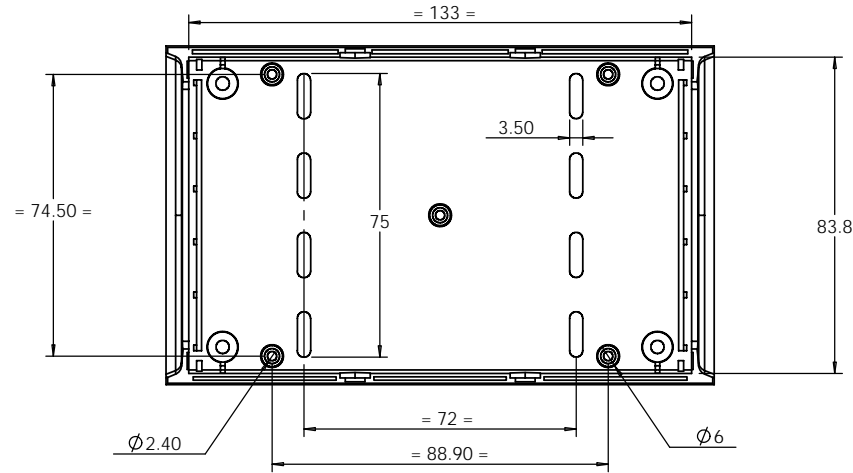


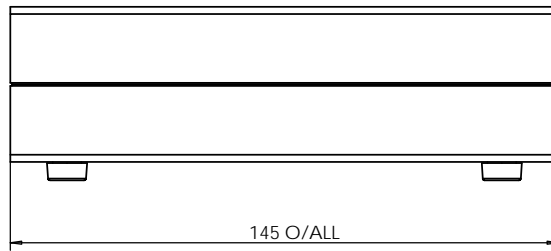
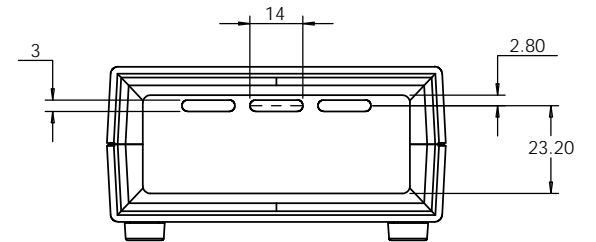
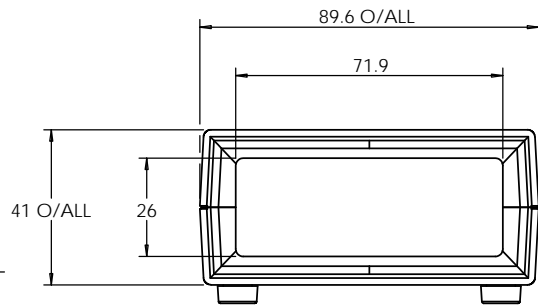
OVERALL ASSEMBLY DIMENSIONS:

EXTERNAL - 145 x 89.6 x 41

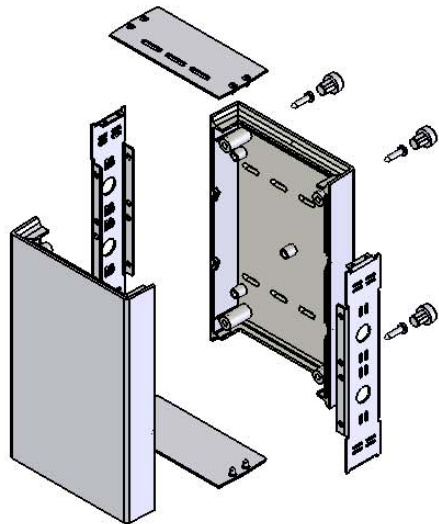
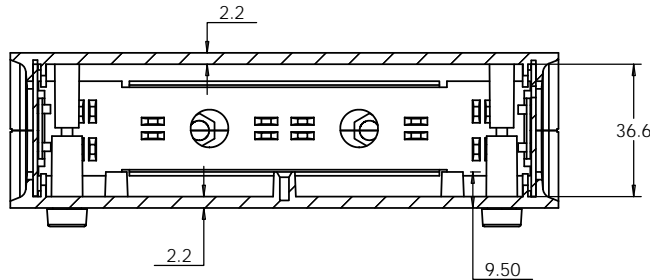
INTERNAL - 133 x 83.8 x 36.6



BASE ONLY



COMPLETE ASSEMBLY



ISO VIEW
1:4

		UNLESS OTHERWISE SPECIFIED: DIMENSIONS ARE IN MILLIMETERS		DO NOT SCALE DRAWING	REVISION. O
		FINISH: -----		TITLE: ASSEMBLY DRG FOR 3501 EURO CONSOLE	
JAMES CARTER RD, MILDENHALL, SUFFOLK. IP28 7DE TEL: 01638 716101 FAX: 01638 716554 EMAIL: SALES@BOSS-ENCLOSURES.CO.UK WEB: www.BOSS-ENCLOSURES.CO.UK		MATERIAL.	VAR	DWG NO.	3501
NAME	SIGNED	DATE			A4
DRAWN	S.HARDINGE	SJH	28/03/08		
CHK'D	-	-	-	PROJECTION.	
				SCALE: 1:2	SHEET 1 OF 1