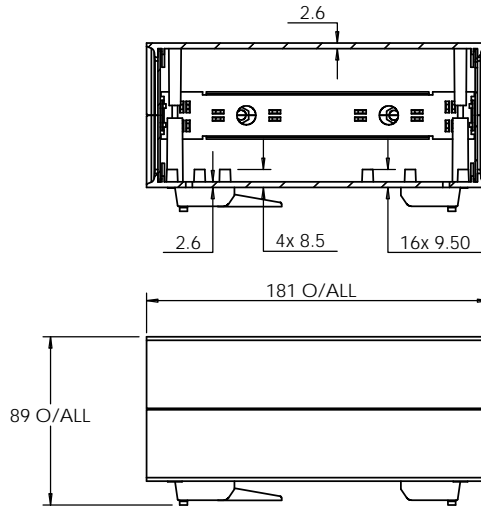
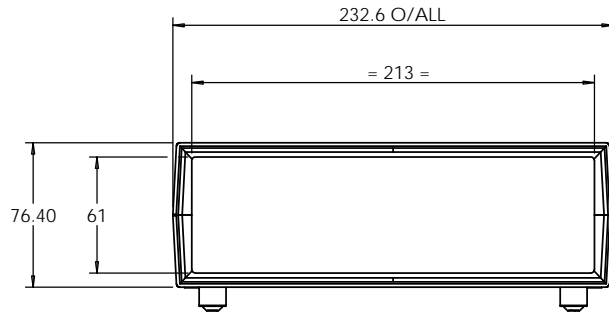


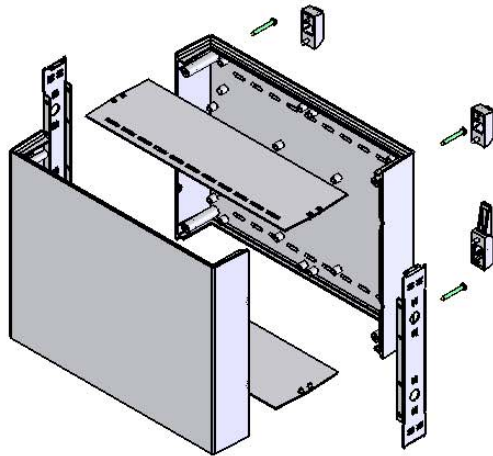
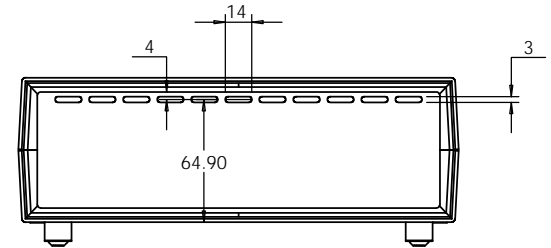
OVERALL ASSEMBLY DIMENSIONS:

EXTERNAL - 181 x 232.6 x 76.4

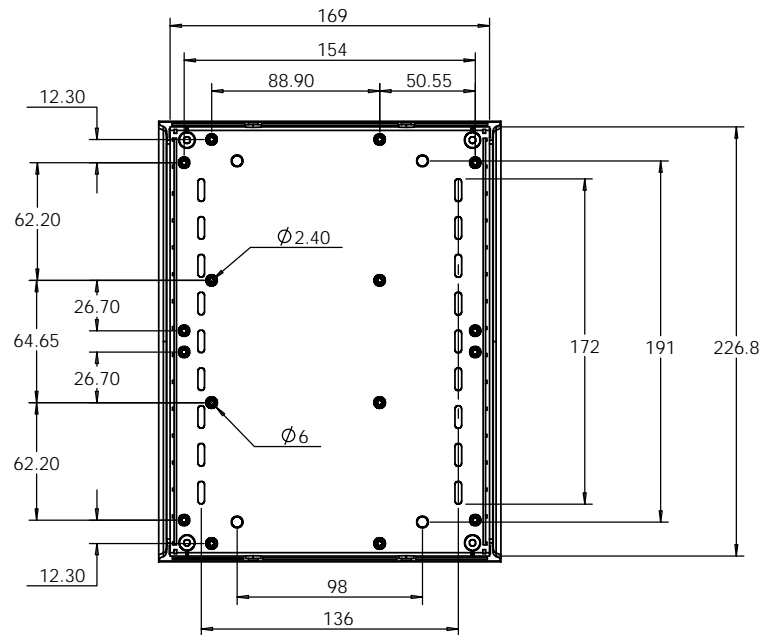
INTERNAL - 169 x 226.8 x 72



COMPLETE ASSEMBLY



ISO VIEW
1:6



BASE ONLY

UNIT ELEVATION ANGLE 0° or 12°

<p>JAMES CARTER RD, MILDENHALL, SUFFOLK. IP28 7DE TEL: 01638 716101 FAX: 01638 716554 EMAIL: SALES@BOSS-ENCLOSURES.CO.UK WEB: www.BOSS-ENCLOSURES.CO.UK</p>				UNLESS OTHERWISE SPECIFIED: DIMENSIONS ARE IN MILLIMETERS		DO NOT SCALE DRAWING		REVISION. 0	
				FINISH: -----		TITLE: ASSEMBLY DRG FOR 3503 EURO CONSOLE			
DRAWN S.HARDINGE		SIGNED SJH		DATE 31/03/08		MATERIAL. VAR		DWG NO. 3503	
CHK'D -		-		-		PROJECTION.		SCALE. 1 : 4	
								SHEET 1 OF 1	

A4