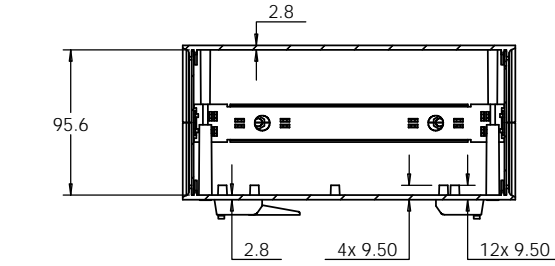
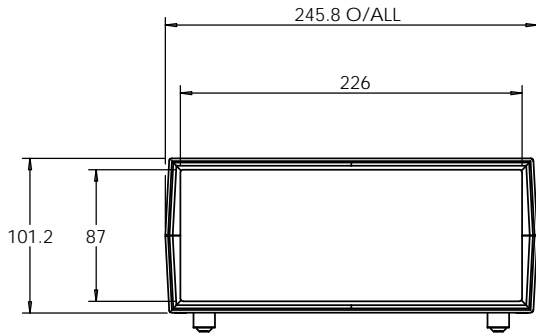


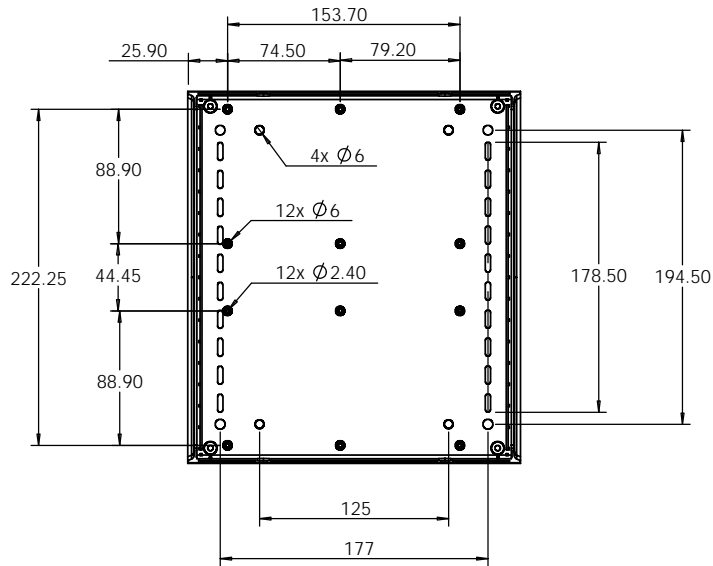
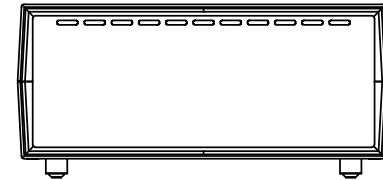
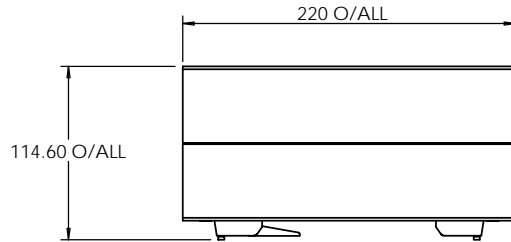
OVERALL ASSEMBLY DIMENSIIONS:

EXTERNAL - 220 x 245.8 x 101.2

INTERNAL - 208 x 240 x 95.5

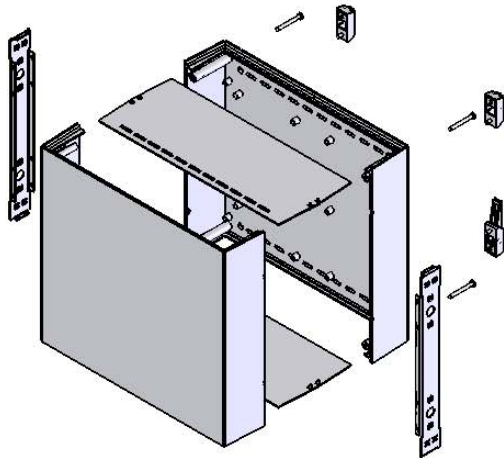


COMPLETE ASSEMBLY



BASE ONLY

UNIT ELEVATION 0° or 10°



ISO VIEW
1:7

		UNLESS OTHERWISE SPECIFIED: DIMENSIONS ARE IN MILLIMETERS		DO NOT SCALE DRAWING	REVISION. 0
		FINISH: -----		TITLE: ASSEMBLY DRG FOR 3054 EURO CONSOLE	
JAMES CARTER RD, MILDENHALL, SUFFOLK. IP28 7DE TEL: 01638 716101 FAX: 01638 716554 EMAIL: SALES@BOSS-ENCLOSURES.CO.UK WEB: www.BOSS-ENCLOSURES.CO.UK		MATERIAL.	VAR	DWG NO.	3504
DRAWN	S.HARDINGE	SIGNED	SJH	DATE	31/03/08
CHK'D	-	-	-	PROJECTION.	
			SCALE: 1:5	SHEET 1 OF 1	

A4