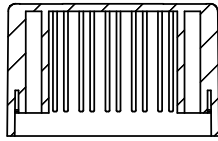


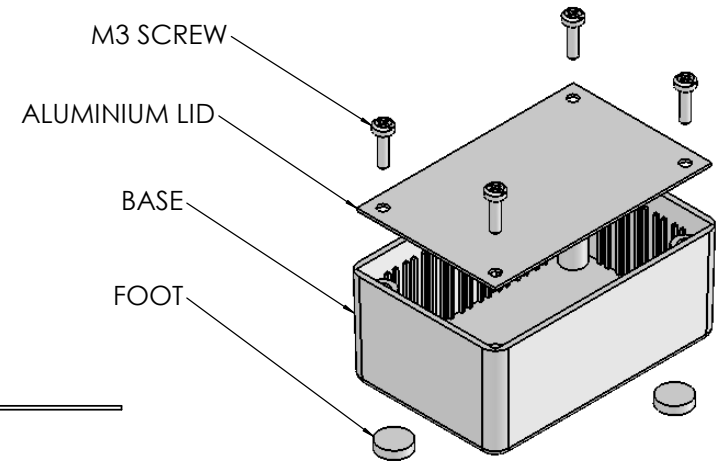
OVERALL ASSEMBLY DIMENSIONS:

EXTERNAL - 85 x 56 x 35

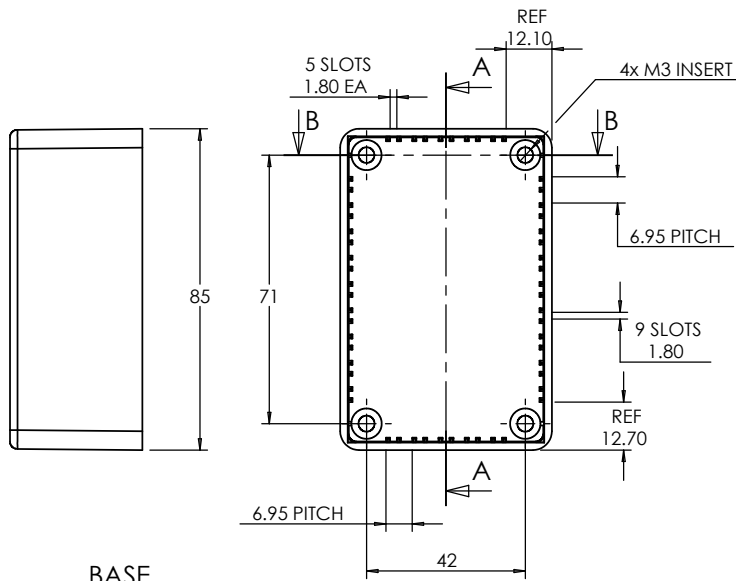
INTERNAL - 81 x 52 x 27



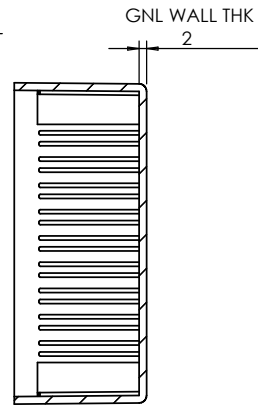
SECTION B-B



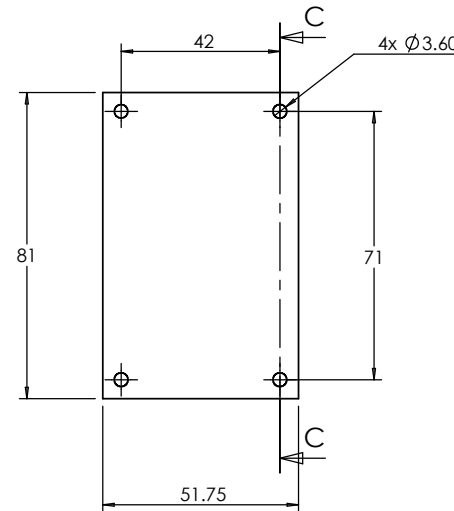
ISO VIEW  
1:2



BASE

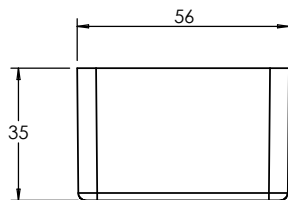


SECTION A-A



SECTION C-C

LID



<p>JAMES CARTER RD, MILDENHALL, SUFFOLK. IP28 7DE TEL: 01638 716101 FAX: 01638 716554 EMAIL: SALES@BOSS-ENCLOSURES.CO.UK WEB: www.BOSS-ENCLOSURES.CO.UK</p>				UNLESS OTHERWISE SPECIFIED: DIMENSIONS ARE IN MILLIMETERS		DO NOT SCALE DRAWING		REVISION. 0	
				FINISH: <b>SMOOTH</b>		TITLE: <b>ASSEMBLY DRG FOR 4003</b>			
DRAWN S.HARDINGE		SIGNED SJH		DATE 30/11/05		MATERIAL: ABS & ALUMINIUM		DWG NO. <b>4003</b>	
CHK'D -		-		-		PROJECTION. 		SCALE: 1 : 2	
								SHEET 1 OF 1	

A4