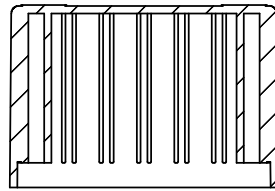


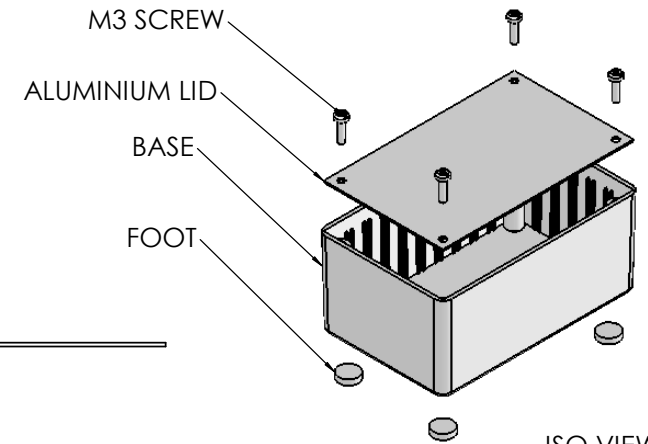
OVERALL ASSEMBLY DIMENSIONS:

EXTERNAL - 111 x 71 x 48

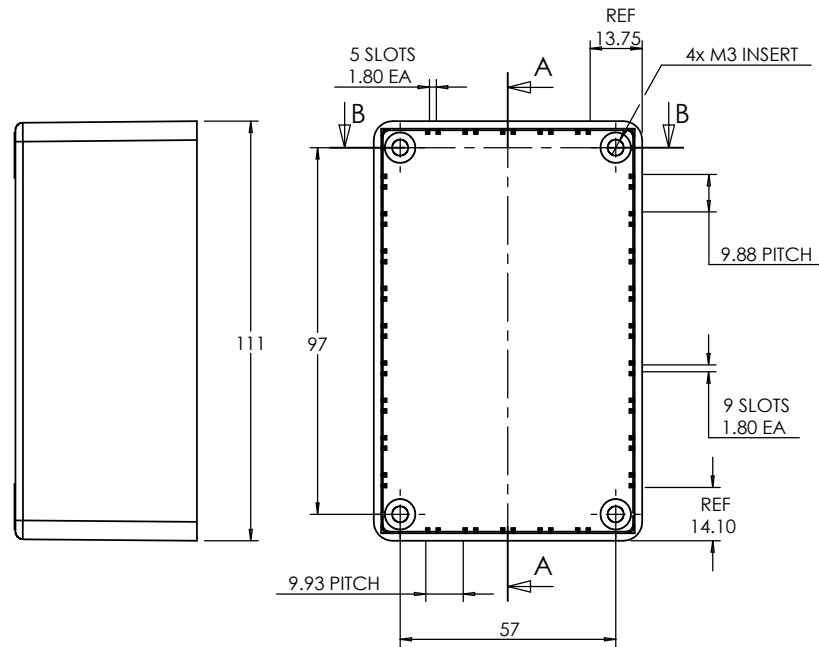
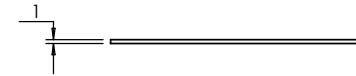
INTERNAL - 107 x 67 x 39.5



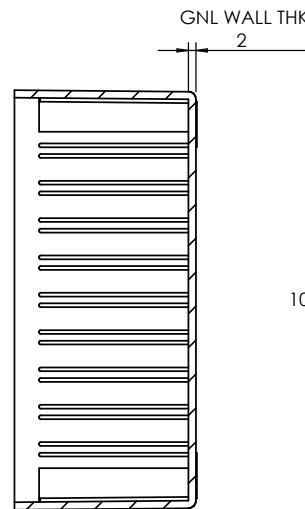
SECTION B-B



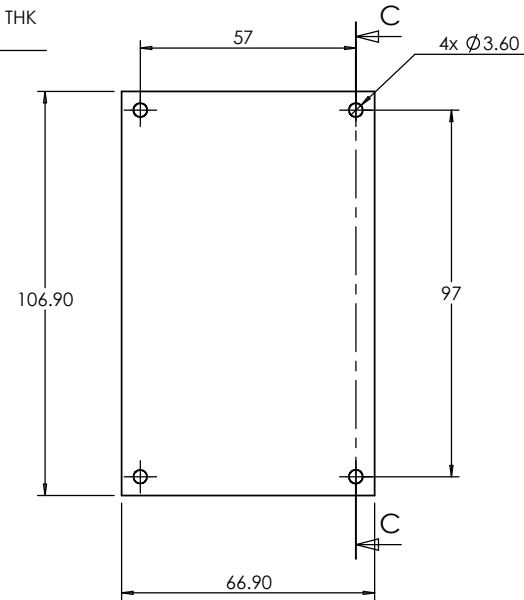
ISO VIEW
1:3



BASE

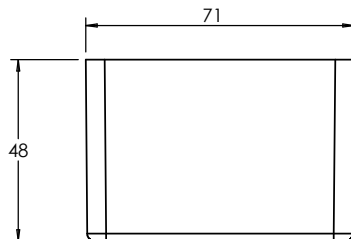


SECTION A-A



SECTION C-C

LID



		UNLESS OTHERWISE SPECIFIED: DIMENSIONS ARE IN MILLIMETERS		DO NOT SCALE DRAWING	REVISION. 0
		FINISH: SMOOTH		TITLE: ASSEMBLY DRG FOR 4004	
JAMES CARTER RD, MILDENHALL, SUFFOLK. IP28 7DE TEL: 01638 716101 FAX: 01638 716554 EMAIL: SALES@BOSS-ENCLOSURES.CO.UK WEB: www.BOSS-ENCLOSURES.CO.UK		MATERIAL: ABS & ALUMINIUM	DWG NO.	4004	A4
DRAWN	S.HARDINGE	SJH	01/12/05	SCALE: 1:2	SHEET 1 OF 1
CHK'D	-	-	-	PROJECTION.	