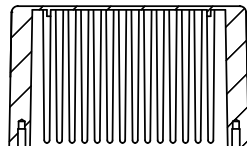


OVERALL ASSEMBLY DIMENSIONS:

EXTERNAL - 121 x 95 x 61

INTERNAL - 117.4 x 91.4 x 56.8

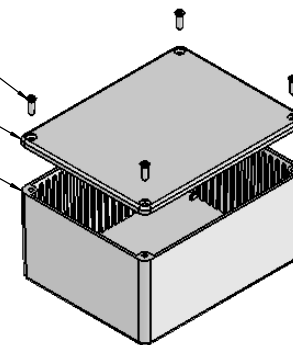


SECTION B-B

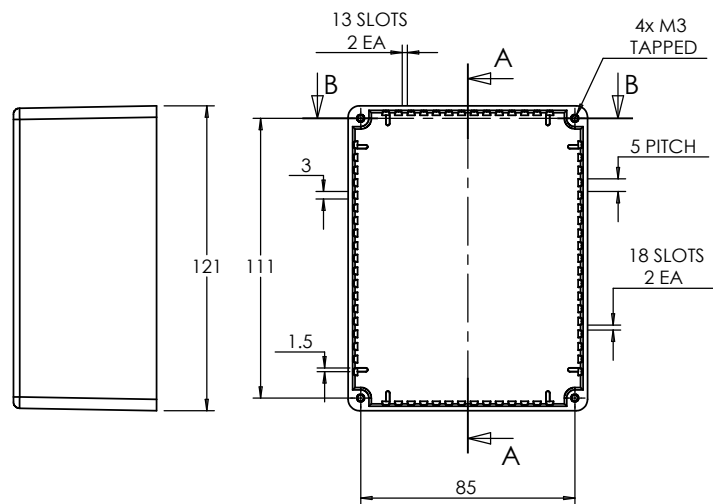
M3 CSK SCREW

LID

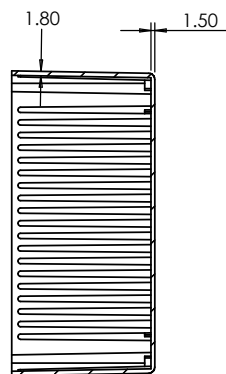
BASE



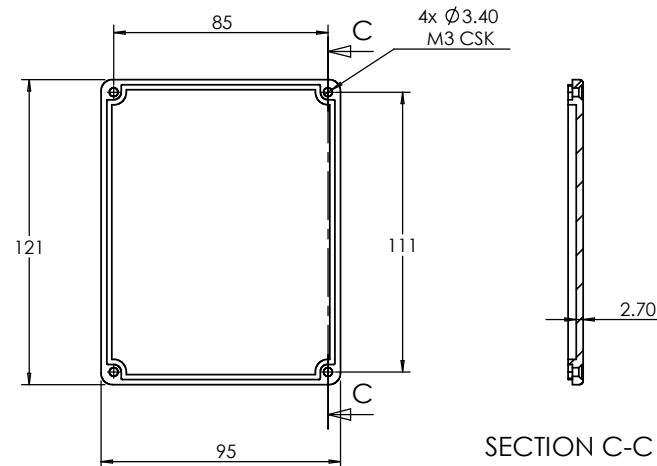
ISO VIEW
1:4



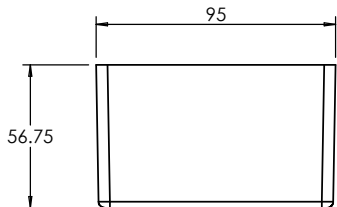
LID



SECTION A-A



BASE



		UNLESS OTHERWISE SPECIFIED: DIMENSIONS ARE IN MILLIMETERS		DO NOT SCALE DRAWING	REVISION. 0
		FINISH: SMOOTH		TITLE: ASSEMBLY DRG FOR 5007,17	
JAMES CARTER RD, MILDENHALL, SUFFOLK. IP28 7DE TEL: 01638 716101 FAX: 01638 716554 EMAIL: SALES@BOSS-ENCLOSURES.CO.UK WEB: www.BOSS-ENCLOSURES.CO.UK		MATERIAL: DIE-CAST ALUMINIUM		DWG NO.	5007,17
DRAWN	S.HARDINGE	SIGNED	SJH	DATE	07/12/05
CHK'D	-	-	-	-	-
PROJECTION.				SCALE: 1:3	SHEET 1 OF 1

A4