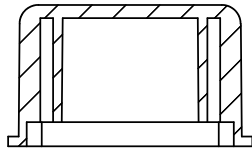


OVERALL ASSEMBLY DIMENSIONS:

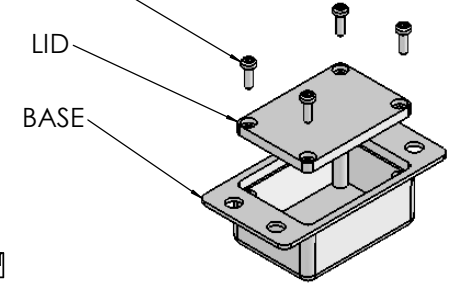
EXTERNAL - 62 x 32.3 x 18.7

INTERNAL - 38 x 25.8 x 13.75

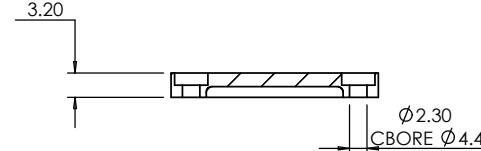


SECTION B-B

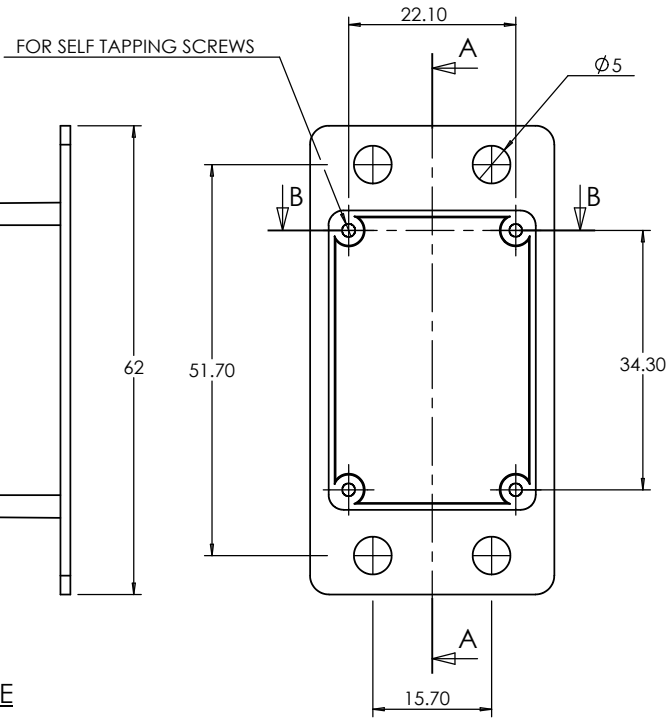
SELF TAPPING SCREWS



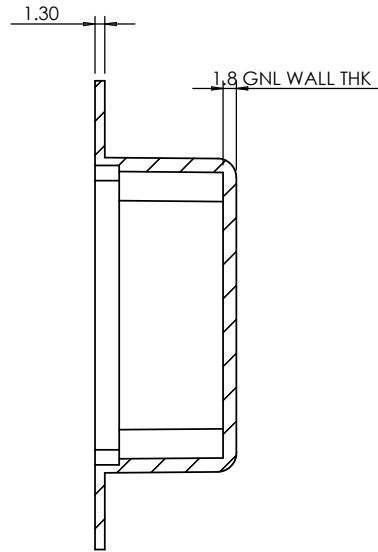
ISO VIEW  
1:2



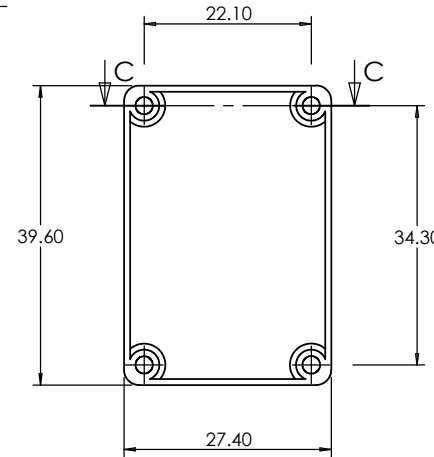
SECTION C-C



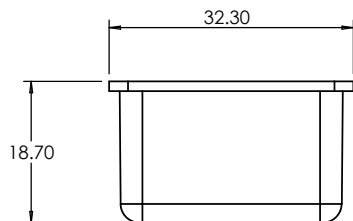
BASE



SECTION A-A



LID



		UNLESS OTHERWISE SPECIFIED: DIMENSIONS ARE IN MILLIMETERS		DO NOT SCALE DRAWING	REVISION. 0
		FINISH: LIGHT SPARK		TITLE: ASSEMBLY DRG FOR 506	
JAMES CARTER RD, MILDENHALL, SUFFOLK. IP28 7DE TEL: 01638 716101 FAX: 01638 716554 EMAIL: SALES@BOSS-ENCLOSURES.CO.UK WEB: WWW.BOSS-ENCLOSURES.CO.UK		MATERIAL: ABS	DWG NO. 506	A4	
DRAWN S.HARDINGE	SIGNED SJH	DATE 22/06/06	PROJECTION. 	SCALE: 1:1	SHEET 1 OF 1