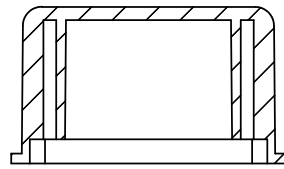


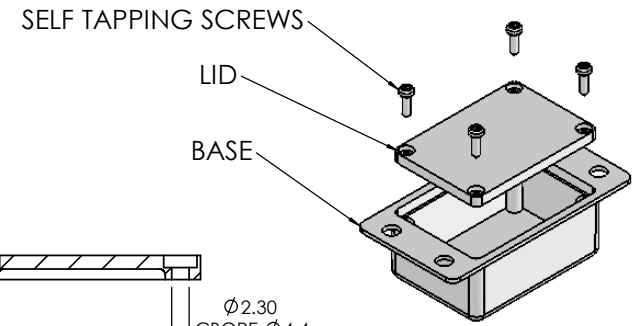
OVERALL ASSEMBLY DIMENSIONS:

EXTERNAL - 68 x 36.3 x 20.7

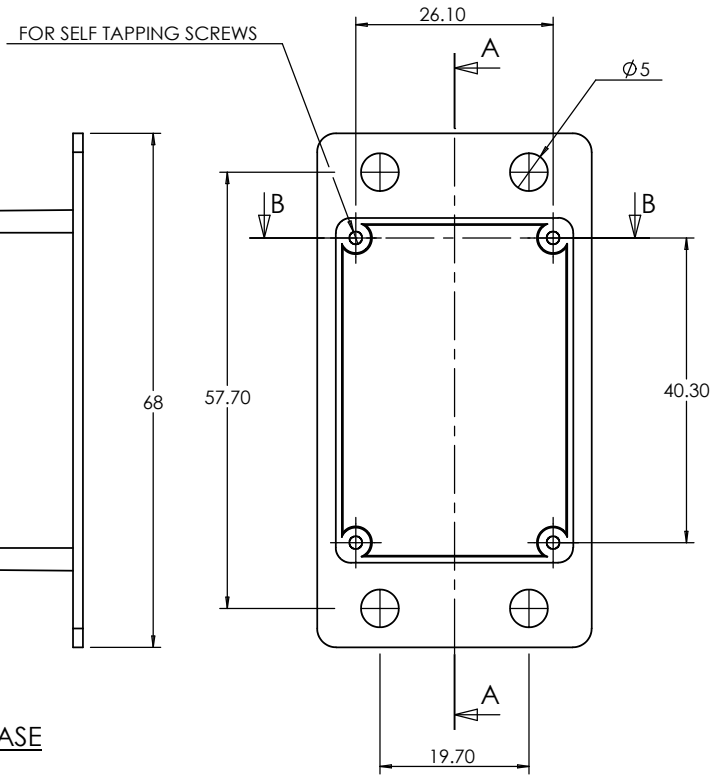
INTERNAL - 44 x 29.8 x 15.75



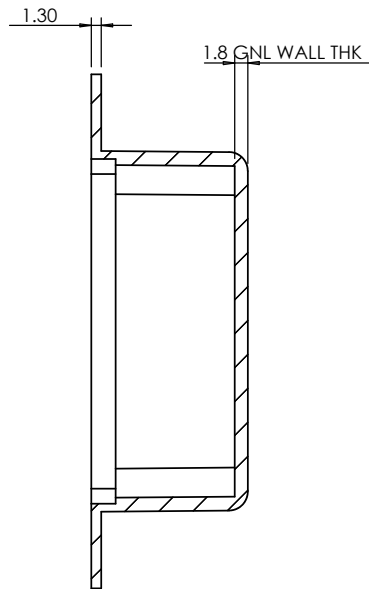
SECTION B-B



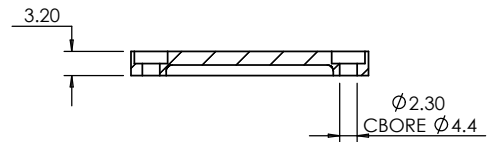
ISO VIEW
1:2



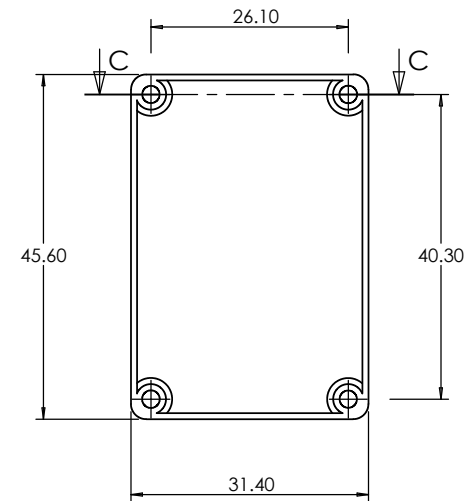
BASE



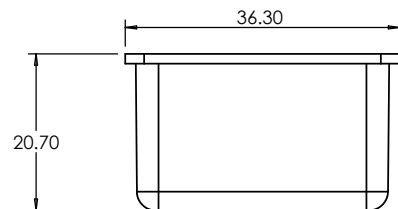
SECTION A-A



SECTION C-C



LID



		UNLESS OTHERWISE SPECIFIED: DIMENSIONS ARE IN MILLIMETERS		DO NOT SCALE DRAWING	REVISION. 0
		FINISH: LIGHT SPARK		TITLE: ASSEMBLY DRG FOR 507	
JAMES CARTER RD, MILDENHALL, SUFFOLK. IP28 7DE TEL: 01638 716101 FAX: 01638 716554 EMAIL: SALES@BOSS-ENCLOSURES.CO.UK WEB: www.BOSS-ENCLOSURES.CO.UK		MATERIAL.	ABS	DWG NO.	507
DRAWN	S.HARDINGE	SIGNED	SJH	DATE	22/06/06
CHK'D	-	-	-	PROJECTION.	
				SCALE: 1 : 1	SHEET 1 OF 1
				A4	