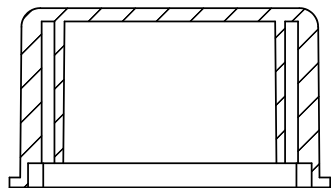


OVERALL ASSEMBLY DIMENSIONS:

EXTERNAL - 76 x 42.4 x 23.7

INTERNAL - 52 x 36 x 18.75

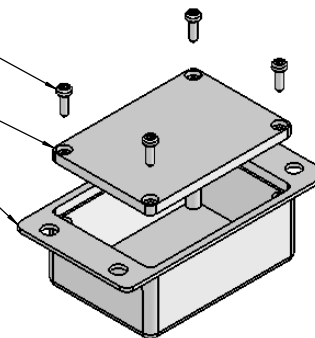


SECTION B-B

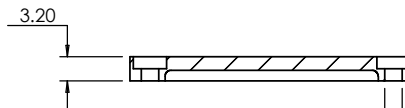
SELF TAPPING SCREW

LID

BASE



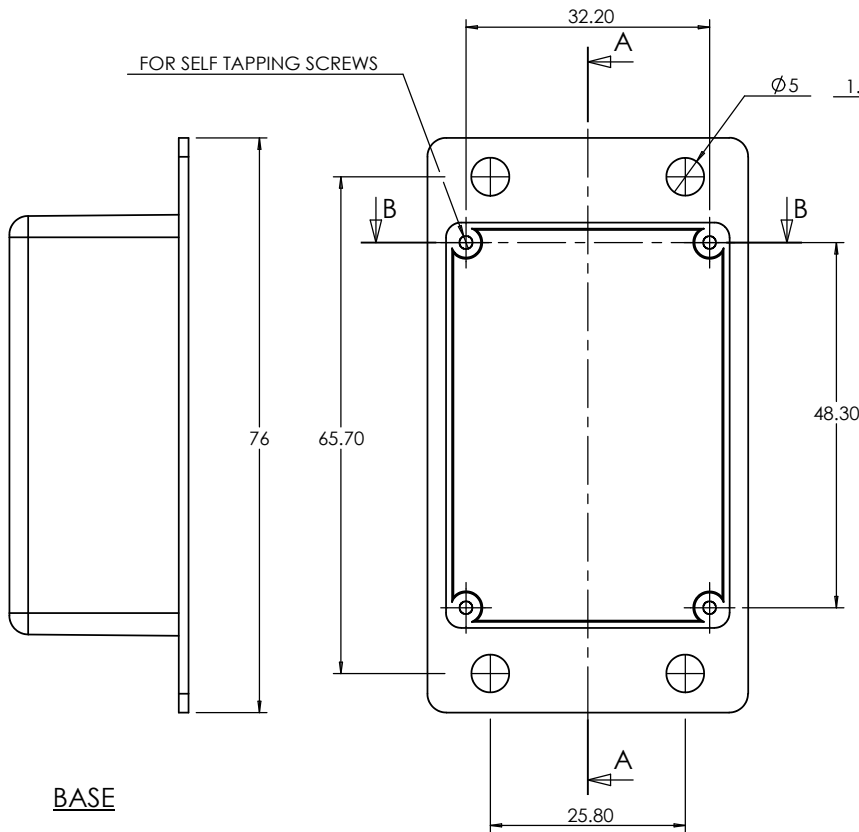
ISO VIEW  
1:2



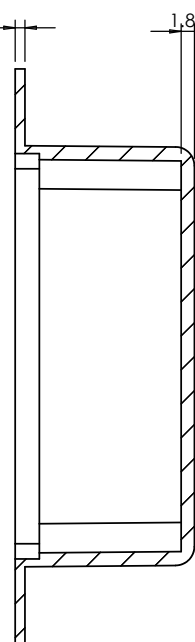
SECTION C-C

Ø2.30  
CBORE Ø4.4

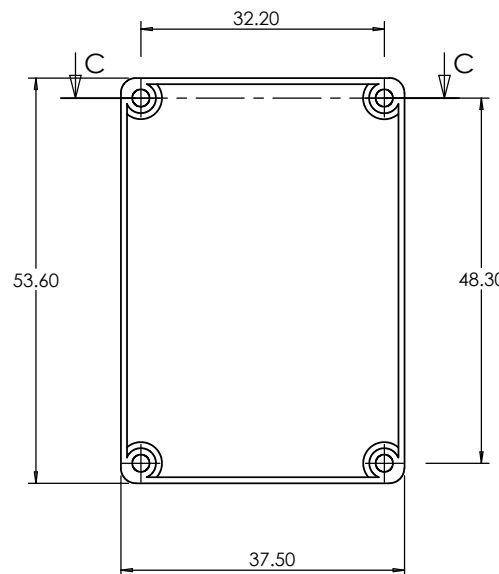
FOR SELF TAPPING SCREWS



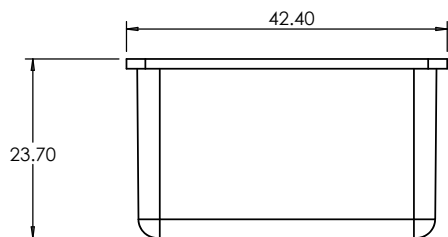
BASE



SECTION A-A



LID



		UNLESS OTHERWISE SPECIFIED: DIMENSIONS ARE IN MILLIMETERS		DO NOT SCALE DRAWING	REVISION. 0
		FINISH: <b>LIGHT SPARK</b>		TITLE: <b>ASSEMBLY DRG FOR 508</b>	
JAMES CARTER RD, MILDENHALL, SUFFOLK. IP28 7DE TEL: 01638 716101 FAX: 01638 716554 EMAIL: SALES@BOSS-ENCLOSURES.CO.UK WEB: www.BOSS-ENCLOSURES.CO.UK		MATERIAL: <b>ABS</b>	DWG NO. <b>508</b>	A4	
DRAWN S.HARDINGE	SIGNED SJH	DATE 22/06/06	PROJECTION. 	SCALE: 1 : 1	SHEET 1 OF 1