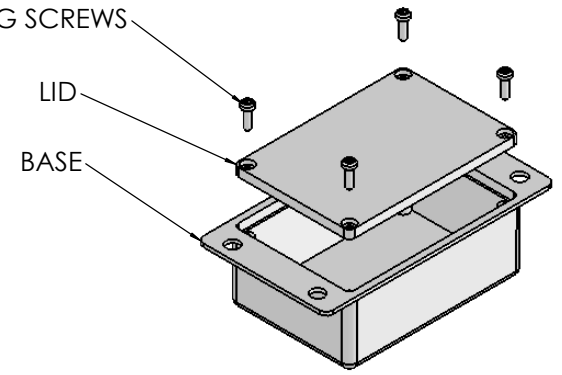


OVERALL ASSEMBLY DIMENSIONS:

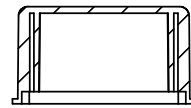
EXTERNAL - 85.9 x 48.3 x 25.7

INTERNAL - 61.9 x 41.8 x 20.75

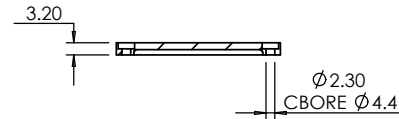
SELF TAPPING SCREWS



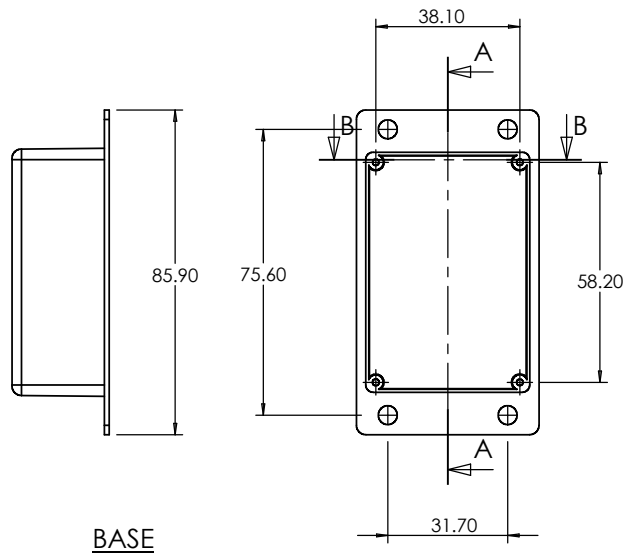
ISO VIEW



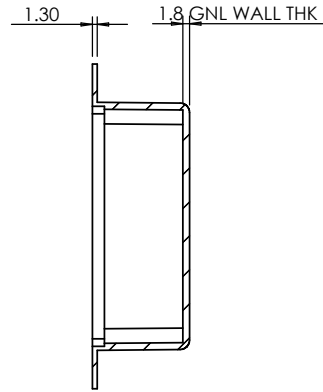
SECTION B-B



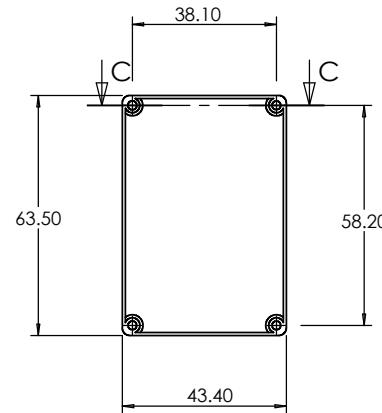
SECTION C-C



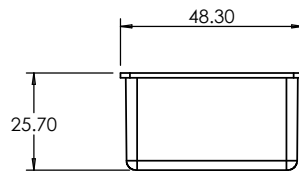
BASE



SECTION A-A



LID



<p>JAMES CARTER RD, MILDENHALL, SUFFOLK. IP28 7DE TEL: 01638 716101 FAX: 01638 716554 EMAIL: SALES@BOSS-ENCLOSURES.CO.UK WEB: www.BOSS-ENCLOSURES.CO.UK</p>				UNLESS OTHERWISE SPECIFIED: DIMENSIONS ARE IN MILLIMETERS		DO NOT SCALE DRAWING		REVISION. 0		
				FINISH: LIGHT SPARK		TITLE: ASSEMBLY DRG FOR 509				
DRAWN S.HARDINGE		SIGNED SJH		DATE 21/06/06		MATERIAL. ABS		DWG NO. 509		A4
CHK'D -		-		-		PROJECTION.		SCALE: 1 : 2		SHEET 1 OF 1