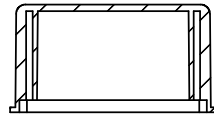


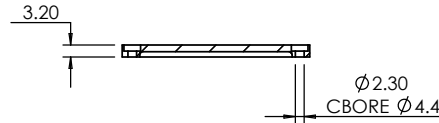
OVERALL ASSEMBLY DIMENSIONS:

EXTERNAL - 96 x 54.5 x 28.5

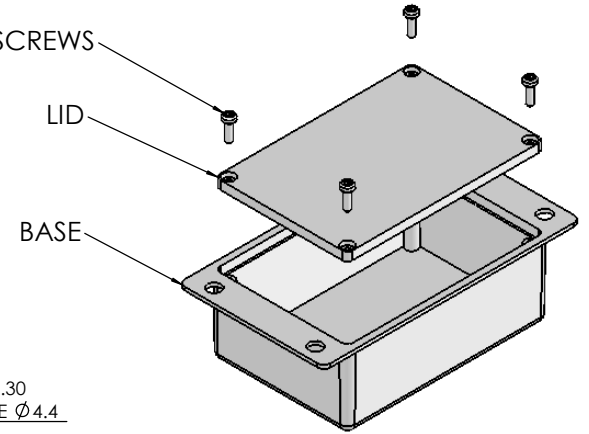
INTERNAL - 72 x 48 x 23.5



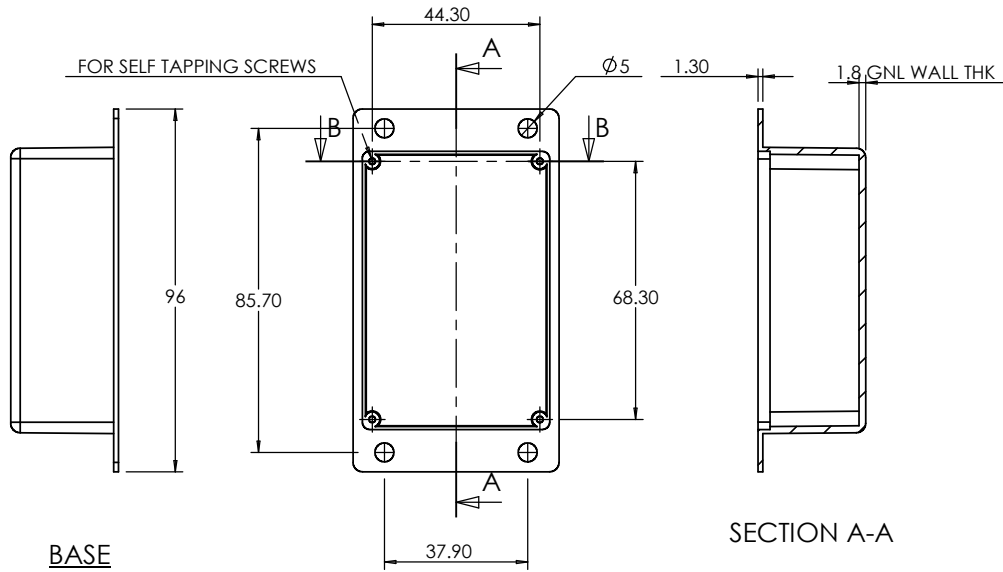
SECTION B-B



SECTION C-C

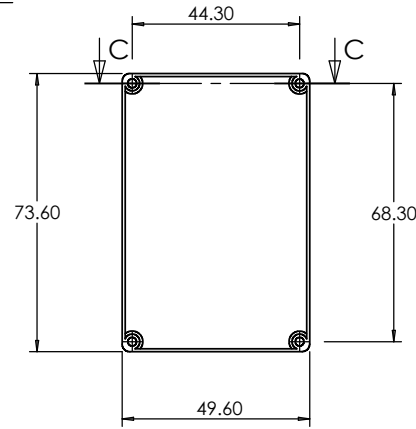


ISO VIEW

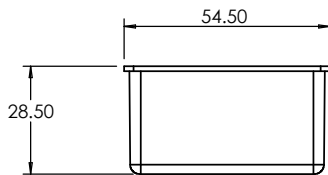


BASE

SECTION A-A



LID



<p>JAMES CARTER RD, MILDENHALL, SUFFOLK. IP28 7DE          TEL: 01638 716101 FAX: 01638 716554          EMAIL: SALES@BOSS-ENCLOSURES.CO.UK          WEB: www.BOSS-ENCLOSURES.CO.UK</p>				UNLESS OTHERWISE SPECIFIED: DIMENSIONS ARE IN MILLIMETERS		DO NOT SCALE DRAWING		REVISION. 0		
				FINISH: <b>LIGHT SPARK</b>		TITLE: <b>ASSEMBLY DRG FOR 510</b>				
DRAWN S.HARDINGE		SIGNED SJH		DATE 21/06/06		MATERIAL: <b>ABS</b>		DWG NO. <b>510</b>		A4
CHK'D -		-		-		PROJECTION. 		SCALE: 1 : 2		SHEET 1 OF 1