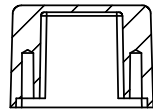


OVERALL ASSEMBLY DIMENSIONS:

EXTERNAL - 91.8 x 37.8 x 30.9

INTERNAL - 88.8 x 34.8 x 27.1

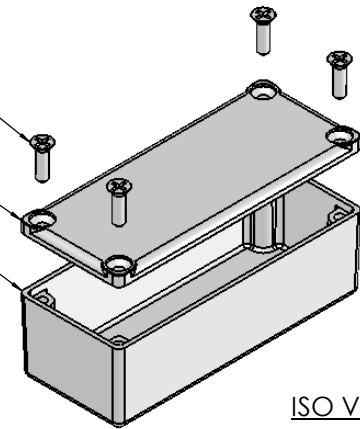
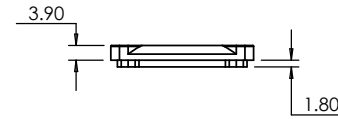


SECTION B-B

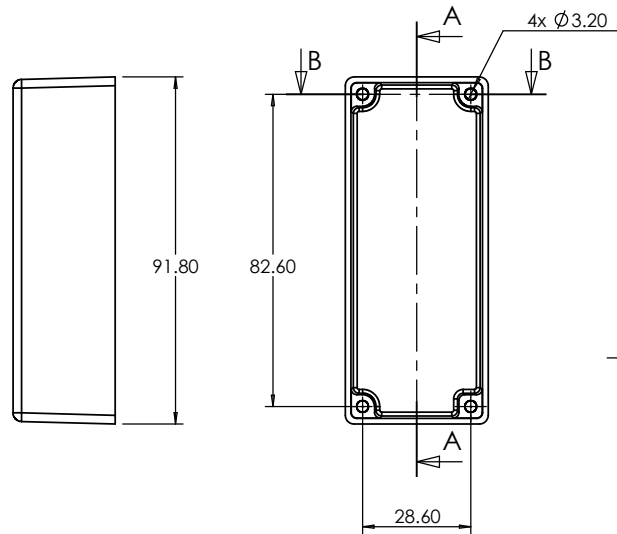
SELF TAPPING SCREW

LID

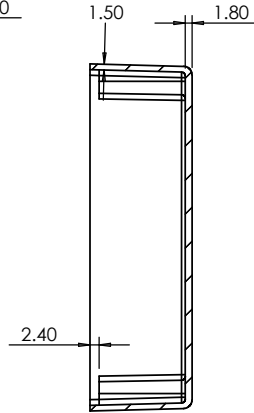
BASE



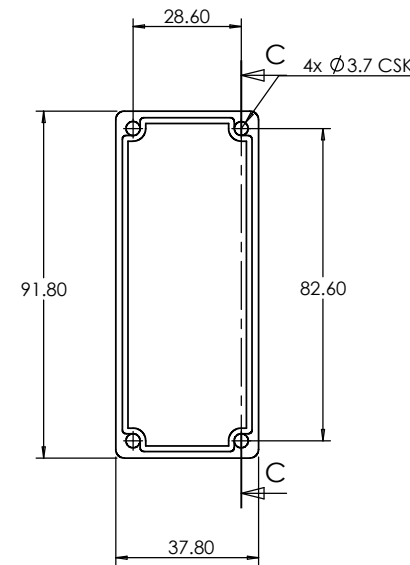
ISO VIEW



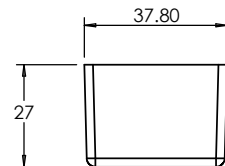
BASE



SECTION A-A



SECTION C-C



<p>JAMES CARTER RD, MILDENHALL, SUFFOLK. IP28 7DE TEL: 01638 716101 FAX: 01638 716554 EMAIL: SALES@BOSS-ENCLOSURES.CO.UK WEB: www.BOSS-ENCLOSURES.CO.UK</p>				UNLESS OTHERWISE SPECIFIED: DIMENSIONS ARE IN MILLIMETERS		DO NOT SCALE DRAWING		REVISION. 0		
				FINISH: SMOOTH		TITLE: ASSEMBLY DRG FOR 5100-123				
DRAWN S.HARDINGE		SIGNED SJH		DATE 08/12/05		MATERIAL: DIE-CAST ALUMINIUM		DWG NO. 5100-123		A4
CHK'D -		-		-		PROJECTION.		SCALE: 1 : 2		SHEET 1 OF 1