

OVERALL ASSEMBLY DIMENSIONS:

EXTERNAL - 110.7 x 59.9 x 31

INTERNAL - 107.7 x 56.9 x 27

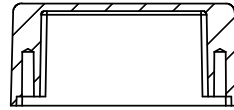
SELF TAPPING SCREW

LID

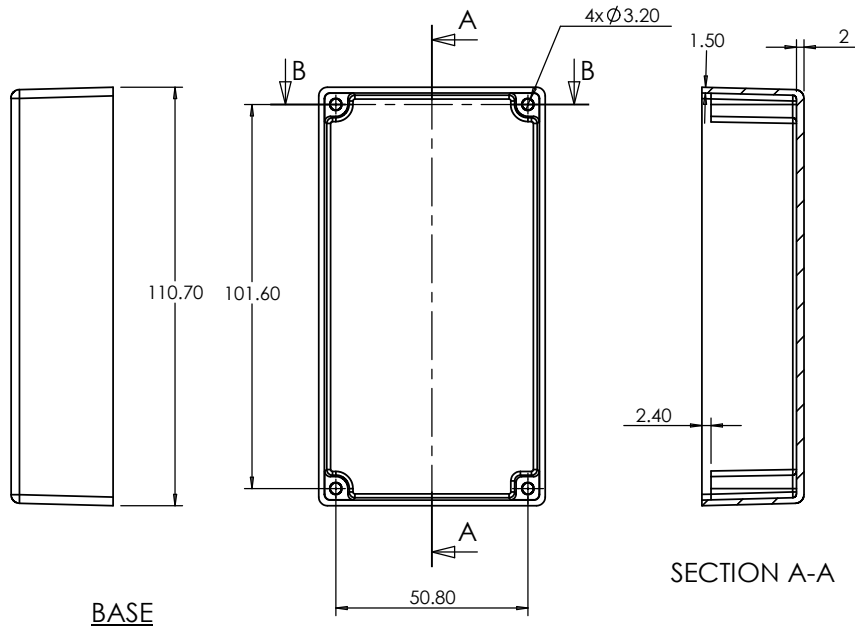
BASE



ISO VIEW  
1:3

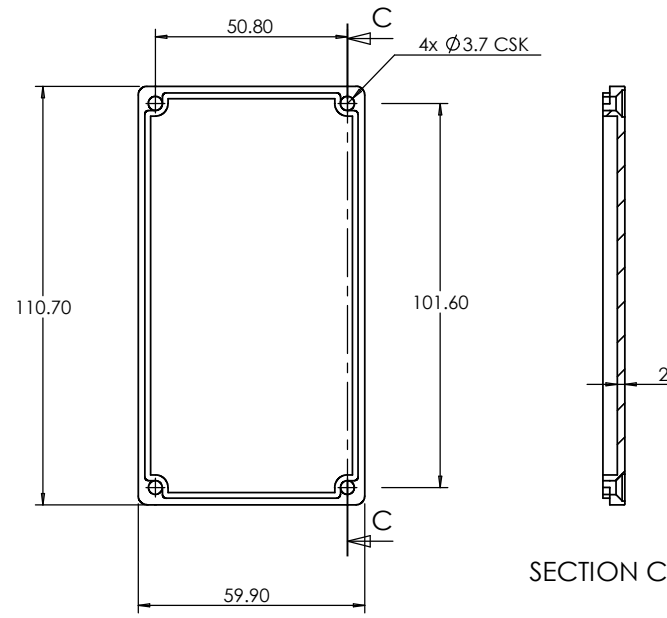


SECTION B-B



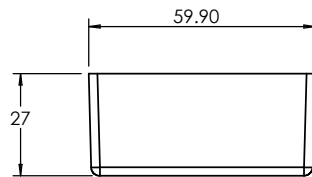
BASE

SECTION A-A



SECTION C-C

LID



<p>JAMES CARTER RD, MILDENHALL, SUFFOLK. IP28 7DE TEL: 01638 716101 FAX: 01638 716554 EMAIL: SALES@BOSS-ENCLOSURES.CO.UK WEB: www.BOSS-ENCLOSURES.CO.UK</p>				UNLESS OTHERWISE SPECIFIED: DIMENSIONS ARE IN MILLIMETERS		DO NOT SCALE DRAWING		REVISION. 0		
				FINISH: <b>SMOOTH</b>		TITLE: <b>DRG FOR 5100-124 BOX</b>				
DRAWN S.HARDINGE		SIGNED SJH		DATE 08/12/05		MATERIAL: DIE-CAST ALUMINIUM		DWG NO. <b>5100-124</b>		A4
CHK'D -		-		-		PROJECTION.		SCALE: 1:2		SHEET 1 OF 1