

OVERALL ASSEMBLY DIMENSIONS:

EXTERNAL - 187.4 x 119.2 x 56.2

INTERNAL - 182.8 x 105.6 x 52.2

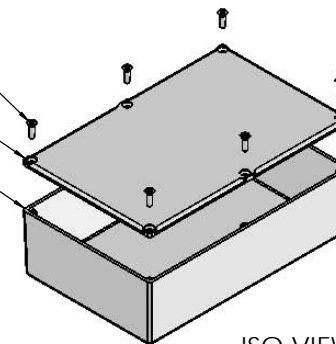


SECTION B-B

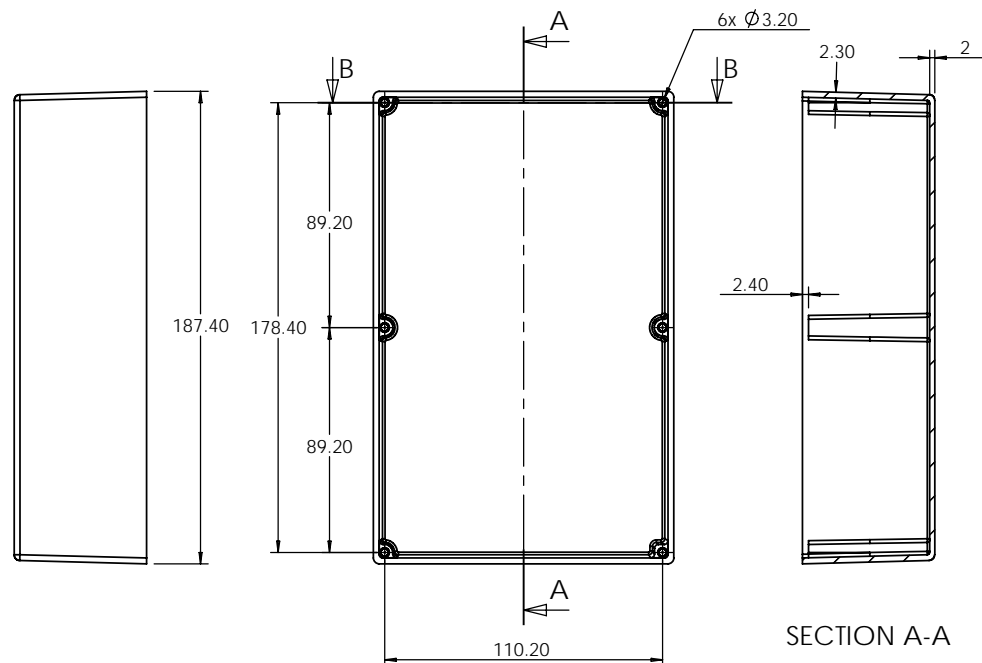
SELF TAPPING SCREW

LID

BASE

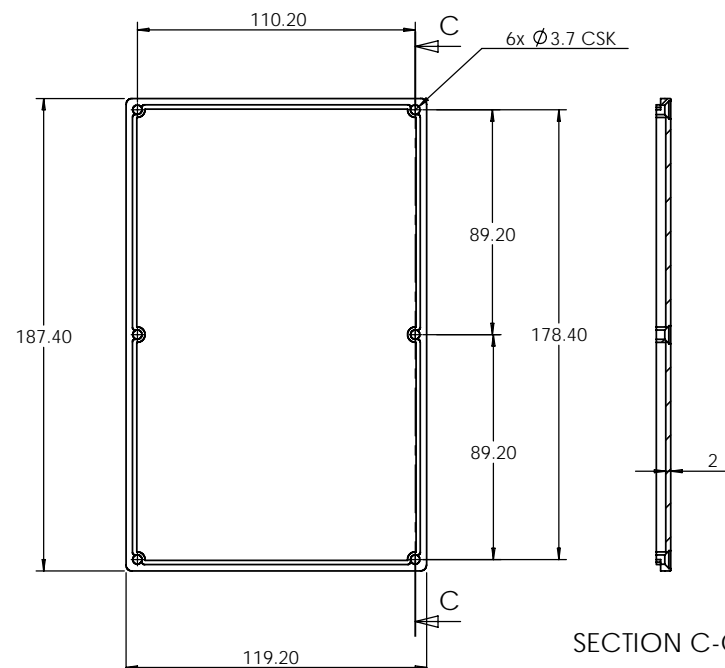


ISO VIEW
1:4



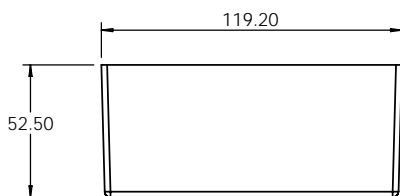
BASE

SECTION A-A



SECTION C-C

LID



		UNLESS OTHERWISE SPECIFIED: DIMENSIONS ARE IN MILLIMETERS		DO NOT SCALE DRAWING	REVISION. 0
		FINISH: SMOOTH		TITLE: ASSEMBLY DRG FOR 5100-247	
JAMES CARTER RD, MILDENHALL, SUFFOLK. IP28 7DE TEL: 01638 716101 FAX: 01638 716554 EMAIL: SALES@BOSS-ENCLOSURES.CO.UK WEB: www.BOSS-ENCLOSURES.CO.UK		MATERIAL: DIE-CAST ALUMINIUM		DWG NO. 5100-247	A4
DRAWN	S.HARDINGE	SIGNED	SJH	DATE	20/12/05
CHK'D	-	-	-	PROJECTION.	SCALE: 1 : 3