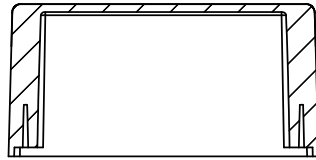


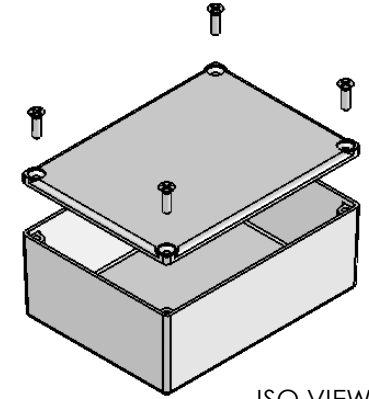
OVERALL ASSEMBLY DIMENSIONS:

EXTERNAL - 109.4 x 82 x 44.3

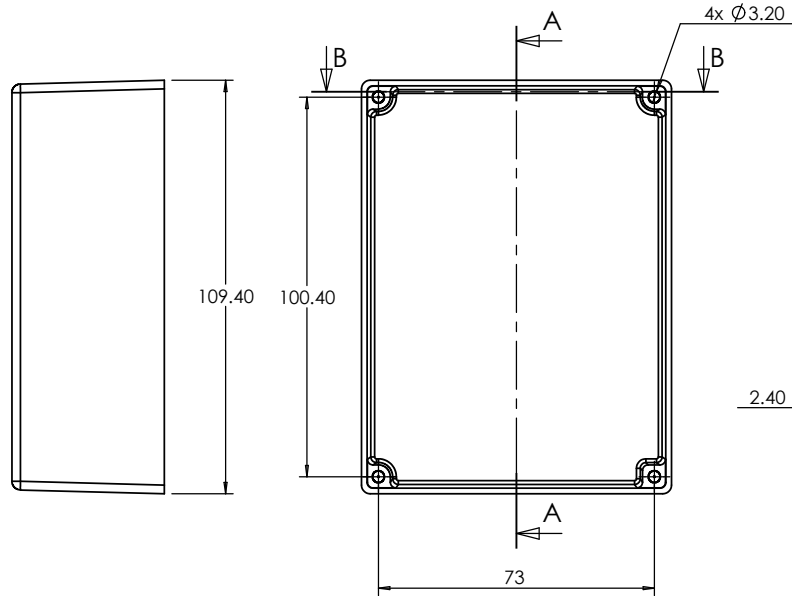
INTERNAL - 106.4 x 79 x 40.3



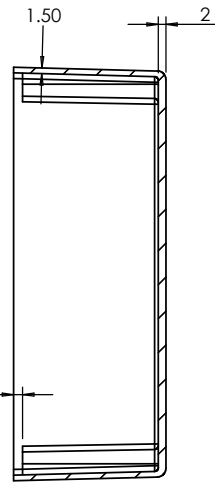
SECTION B-B



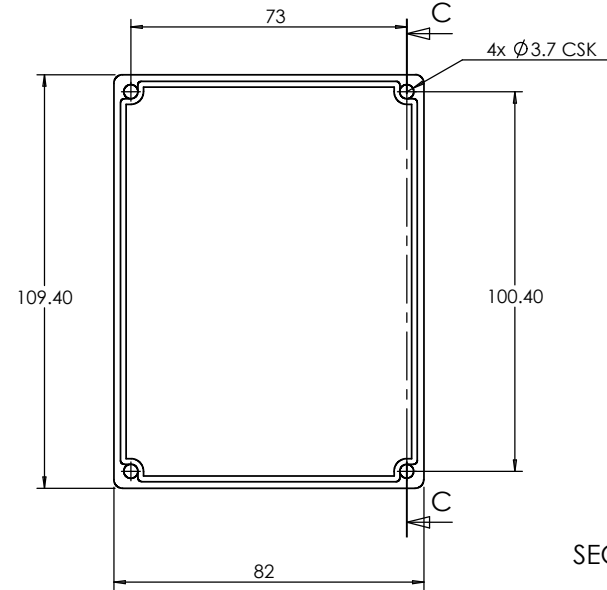
ISO VIEW
1:3



BASE

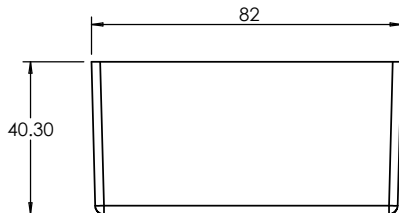



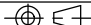
SECTION A-A



SECTION C-C

LID



| | | | | | | |
|--|------------|--|----------|---|----------------------------|--------------|
|  JAMES CARTER RD, MILDENHALL, SUFFOLK. IP28 7DE TEL: 01638 716101 FAX: 01638 716554 EMAIL: SALES@BOSS-ENCLOSURES.CO.UK WEB: WWW.BOSS-ENCLOSURES.CO.UK | | UNLESS OTHERWISE SPECIFIED: DIMENSIONS ARE IN MILLIMETERS | | DO NOT SCALE DRAWING | REVISION. 0 | |
| | | FINISH: SMOOTH | | TITLE: ASSEMBLY DRG FOR 5100-471 | | |
| DRAWN | S.HARDINGE | SJH | 08/12/05 | MATERIAL: DIE-CAST ALUMINIUM | DWG NO. 5100-471 | A4 |
| CHK'D | - | - | - | PROJECTION.  | SCALE: 1 : 2 | SHEET 1 OF 1 |