

OVERALL ASSEMBLY DIMENSIONS:

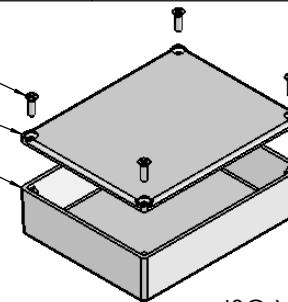
EXTERNAL - 118.9 x 93.3 x 34.2

INTERNAL - 114.3 x 88.7 x 30.2

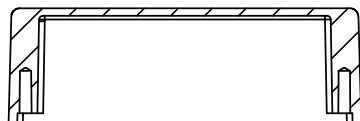
SELF TAPPING SCREW

LID

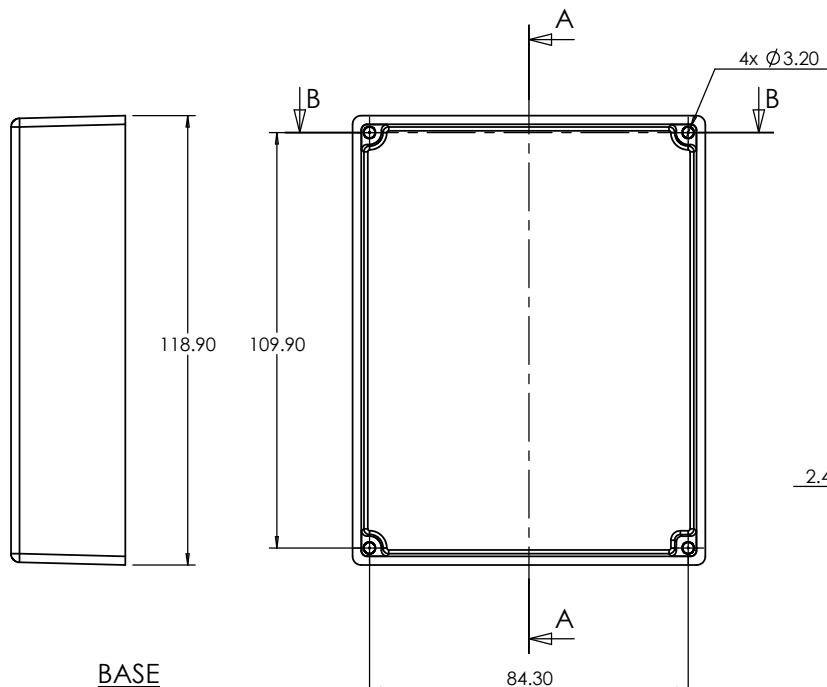
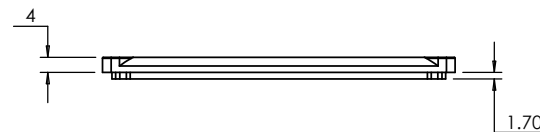
BASE



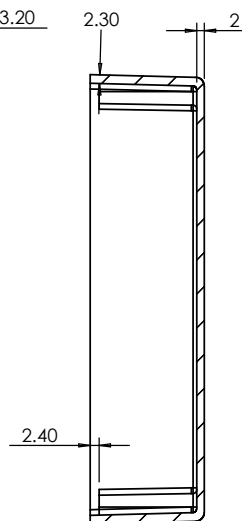
ISO VIEW
1:4



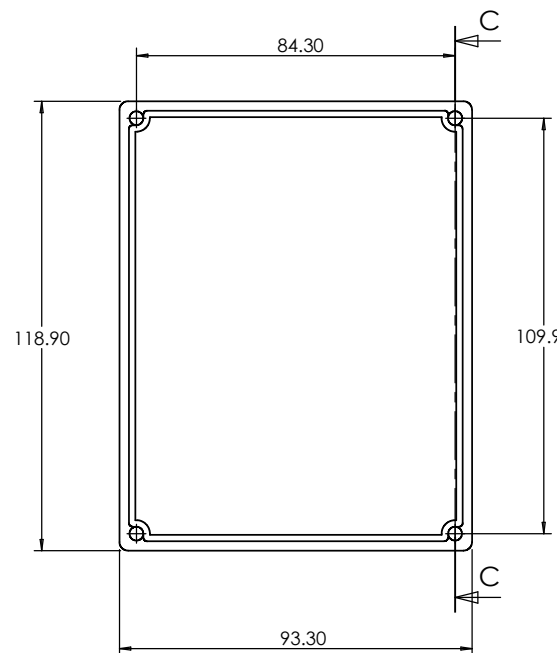
SECTION B-B



BASE

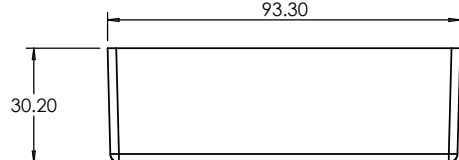


SECTION A-A



LID

SECTION C-C



<p>JAMES CARTER RD, MILDENHALL, SUFFOLK. IP28 7DE TEL: 01638 716101 FAX: 01638 716554 EMAIL: SALES@BOSS-ENCLOSURES.CO.UK WEB: www.BOSS-ENCLOSURES.CO.UK</p>				UNLESS OTHERWISE SPECIFIED: DIMENSIONS ARE IN MILLIMETERS		DO NOT SCALE DRAWING		REVISION. O		
				FINISH: SMOOTH		TITLE: ASSEMBLY DRG FOR 5100-473				
DRAWN S.HARDINGE		SIGNED SJH		DATE 09/12/05		MATERIAL: DIE-CAST ALUMINIUM		DWG NO. 5100-473		A4
CHK'D -		-		-		PROJECTION.		SCALE: 1 : 2		SHEET 1 OF 1