

OVERALL ASSEMBLY DIMENSIONS:

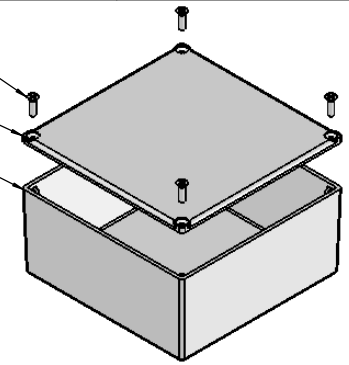
EXTERNAL - 120.5 x 120.5 x 59.2

INTERNAL - 115.9 x 115.9 x 55.2

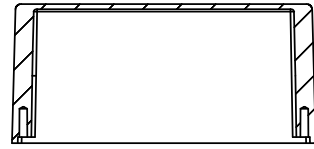
SELF TAPPING SCREW

LID

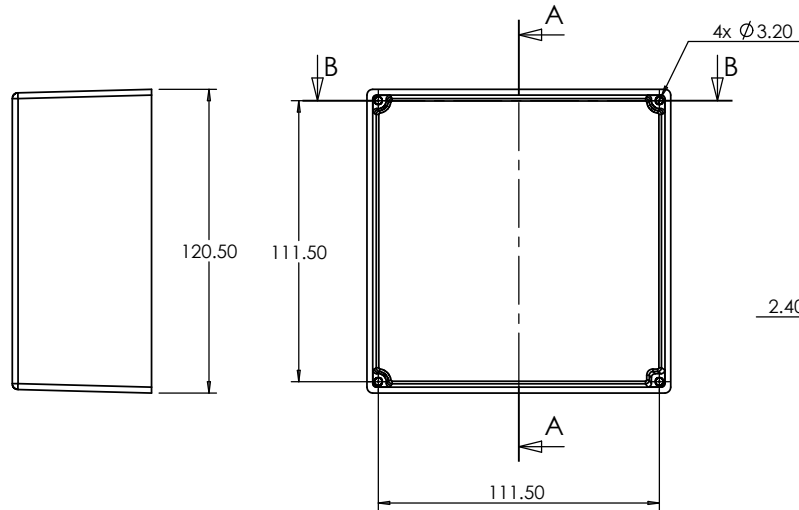
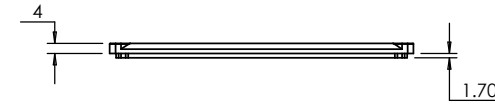
BASE



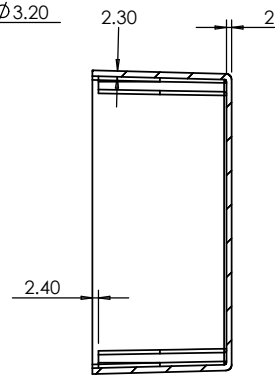
ISO VIEW
1:4



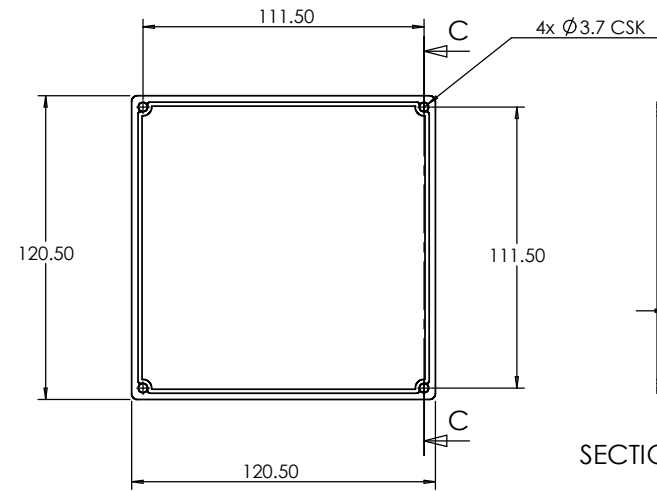
SECTION B-B



BASE

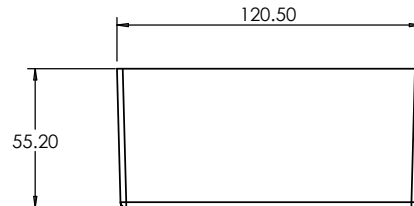


SECTION A-A



SECTION C-C

LID



| | | | | | | | | | | |
|---|--|---------------|--|--|--|--|--|----------------------------|--|--------------|
| <p>JAMES CARTER RD, MILDENHALL, SUFFOLK. IP28 7DE TEL: 01638 716101 FAX: 01638 716554 EMAIL: SALES@BOSS-ENCLOSURES.CO.UK WEB: www.BOSS-ENCLOSURES.CO.UK</p> | | | | UNLESS OTHERWISE SPECIFIED: DIMENSIONS ARE IN MILLIMETERS | | DO NOT SCALE DRAWING | | REVISION. O | | |
| | | | | FINISH: SMOOTH | | TITLE: ASSEMBLY DRG FOR 5100-474 | | | | |
| DRAWN S.HARDINGE | | SIGNED SJH | | DATE 13/12/05 | | MATERIAL: DIE-CAST ALUMINIUM | | DWG NO. 5100-474 | | A4 |
| CHK'D - | | - | | - | | PROJECTION. | | SCALE: 1 : 3 | | SHEET 1 OF 1 |