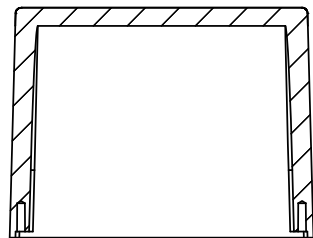


OVERALL ASSEMBLY DIMENSIONS:

EXTERNAL - 120.5 x 120.5 x 95.2

INTERNAL - 115.9 x 115.9 x 91.2

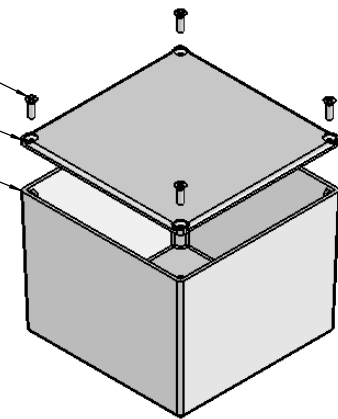


SECTION B-B

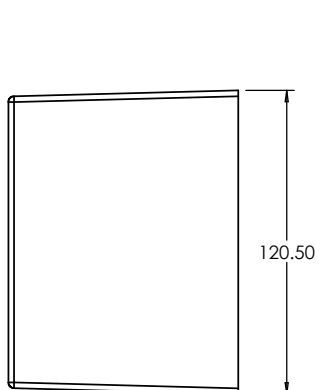
SELF TAPPING SCREW

LID

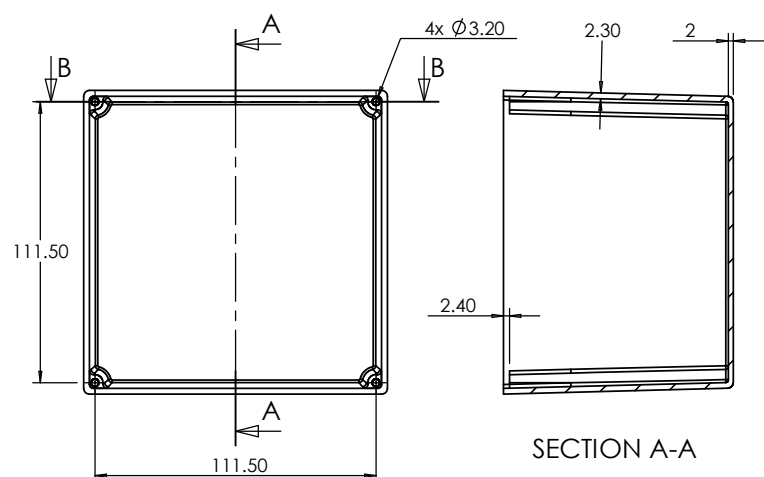
BASE



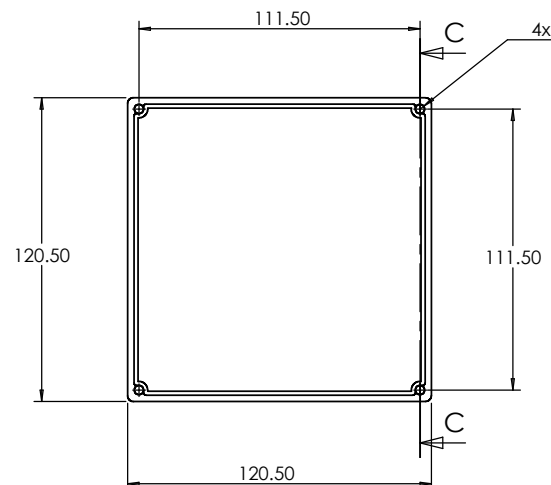
ISO VIEW
1:4



BASE

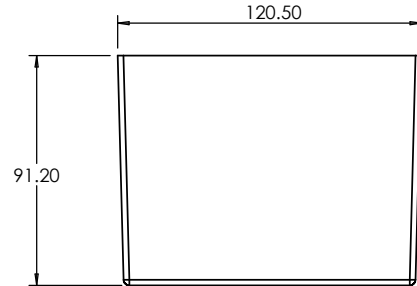


SECTION A-A



SECTION C-C

LID



		UNLESS OTHERWISE SPECIFIED: DIMENSIONS ARE IN MILLIMETERS		DO NOT SCALE DRAWING	REVISION. 0
		FINISH: SMOOTH		TITLE: ASSEMBLY DRG FOR 5100-475	
JAMES CARTER RD, MILDENHALL, SUFFOLK. IP28 7DE TEL: 01638 716101 FAX: 01638 716554 EMAIL: SALES@BOSS-ENCLOSURES.CO.UK WEB: www.BOSS-ENCLOSURES.CO.UK		MATERIAL: DIE-CAST ALUMINIUM		DWG NO. 5100-475	A4
DRAWN	S.HARDINGE	SJH	13/12/05	SCALE: 1 : 3	SHEET 1 OF 1
CHK'D	-	-	-	PROJECTION.	