

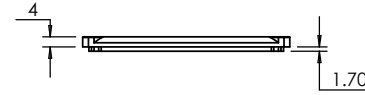
OVERALL ASSEMBLY DIMENSIONS:

EXTERNAL - 152.2 x 82.2 x 50.8

INTERNAL - 147.6 x 77.6 x 46.8



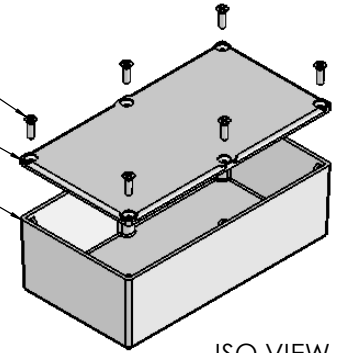
SECTION B-B



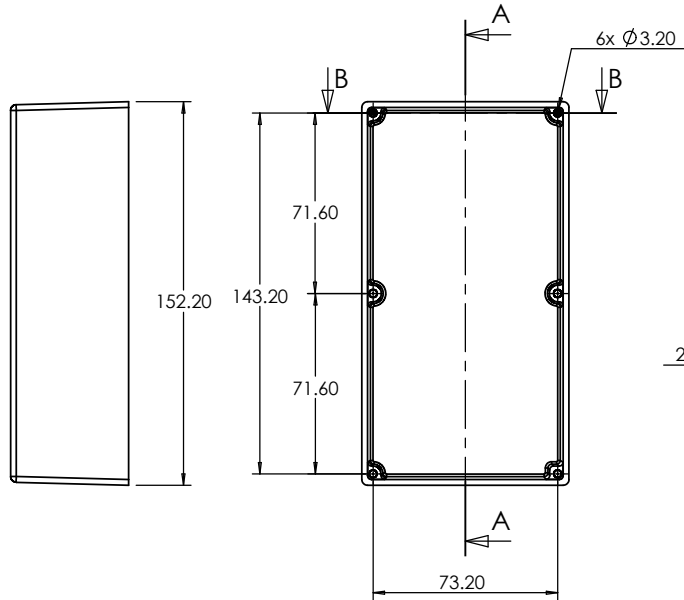
SELF TAPPING SCREW

LID

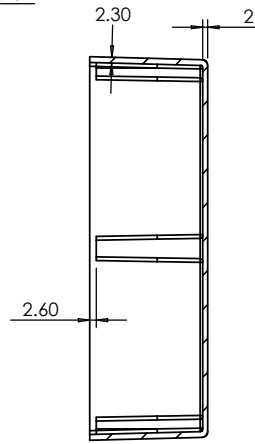
BASE



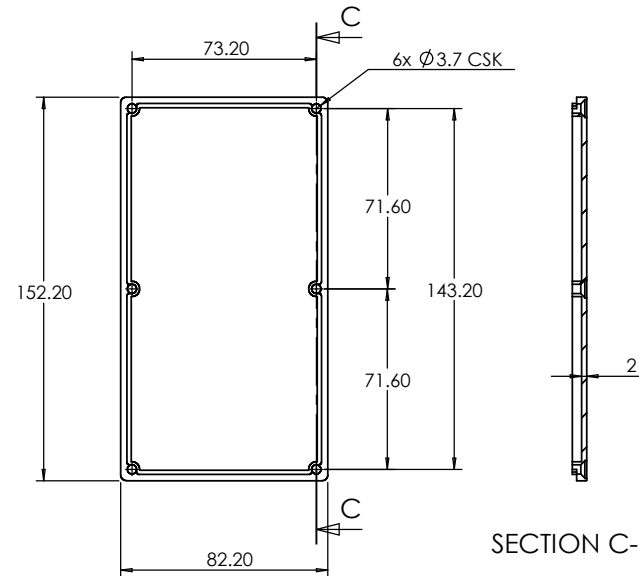
ISO VIEW
1:4



BASE

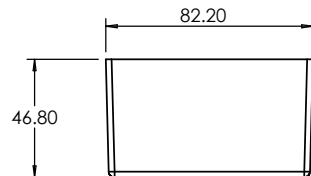


SECTION A-A



LID

SECTION C-C



| | | | | | | | | | | |
|---|--|---------------|--|--|--|---|--|---------------------|--|--------------|
| <p>JAMES CARTER RD, MILDENHALL, SUFFOLK. IP28 7DE TEL: 01638 716101 FAX: 01638 716554 EMAIL: SALES@BOSS-ENCLOSURES.CO.UK WEB: WWW.BOSS-ENCLOSURES.CO.UK</p> | | | | UNLESS OTHERWISE SPECIFIED: DIMENSIONS ARE IN MILLIMETERS | | DO NOT SCALE DRAWING | | REVISION. 0 | | |
| | | | | FINISH. SMOOTH | | TITLE: ASSEMBLY DRG FPR 5100-476 BOX | | | | |
| DRAWN S.HARDINGE | | SIGNED SJH | | DATE 14/12/05 | | MATERIAL. DIE-CAST ALUMINIUM | | DWG NO. 5100-476 | | A4 |
| CHK'D - | | - | | - | | PROJECTION. | | SCALE. 1 : 3 | | SHEET 1 OF 1 |