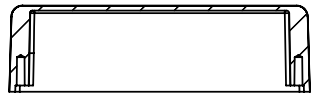


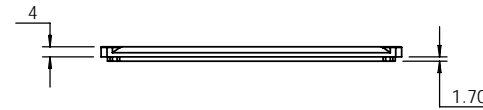
OVERALL ASSEMBLY DIMENSIONS:

EXTERNAL - 187.4 x 119.2 x 38.2

INTERNAL - 182.8 x 105.6 x 34.2



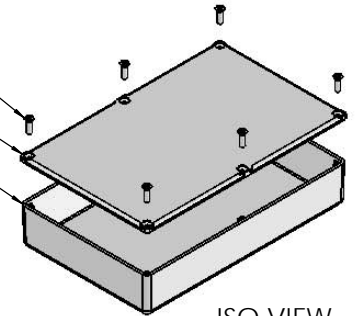
SECTION B-B



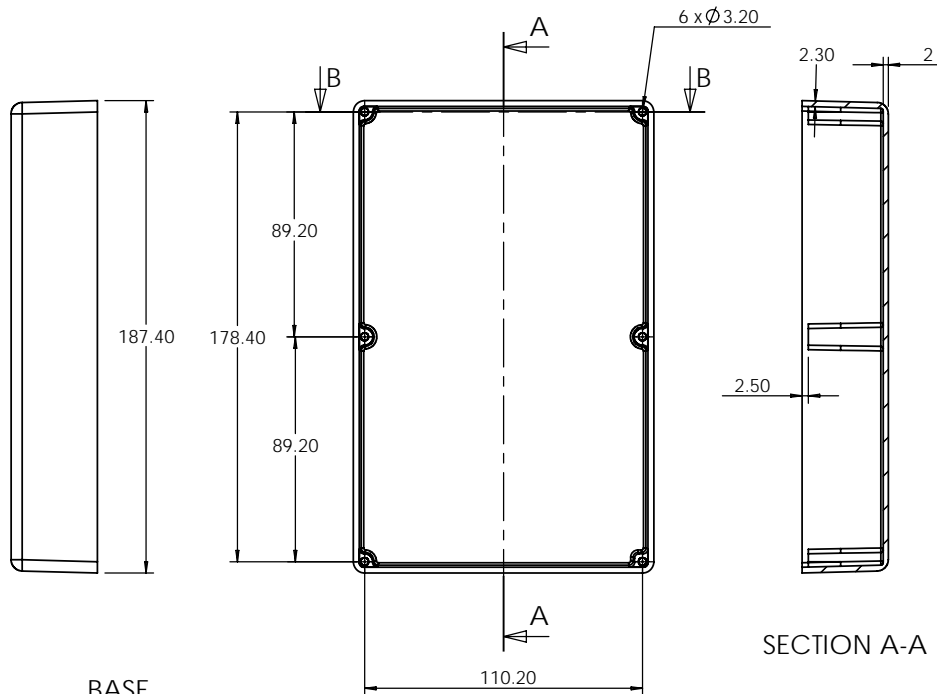
SELF TAPPING SCREW

LID

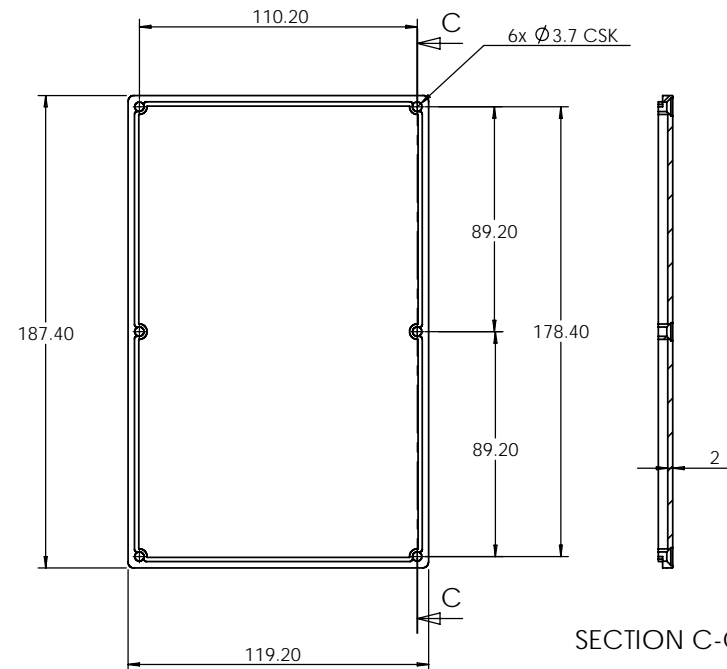
BASE



ISO VIEW
1:5



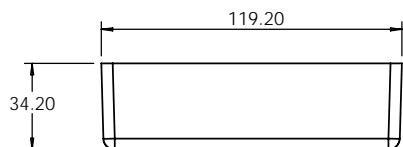
SECTION A-A



SECTION C-C

LID

BASE



		UNLESS OTHERWISE SPECIFIED: DIMENSIONS ARE IN MILLIMETERS		DO NOT SCALE DRAWING	REVISION. 0
		FINISH: SMOOTH		TITLE: ASSEMBLY DRG FOR 5100-477	
JAMES CARTER RD, MILDENHALL, SUFFOLK. IP28 7DE TEL: 01638 716101 FAX: 01638 716554 EMAIL: SALES@BOSS-ENCLOSURES.CO.UK WEB: www.BOSS-ENCLOSURES.CO.UK		MATERIAL: DIE-CAST ALUMINIUM		DWG NO. 5100-477	A4
DRAWN	S.HARDINGE	SJH	20/12/05	SCALE: 1:3	SHEET 1 OF 1
CHK'D	-	-	-	PROJECTION:	