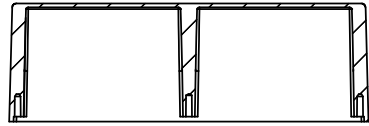


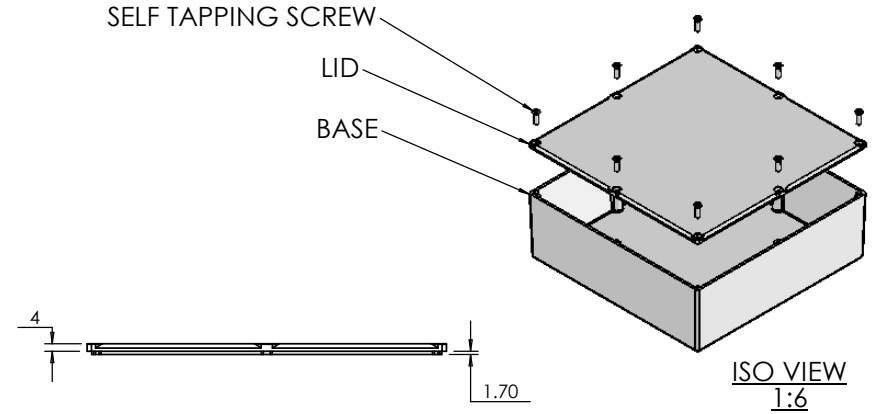
OVERALL ASSEMBLY DIMENSIONS:

EXTERNAL - 190.1 x 190.1 x 66.5

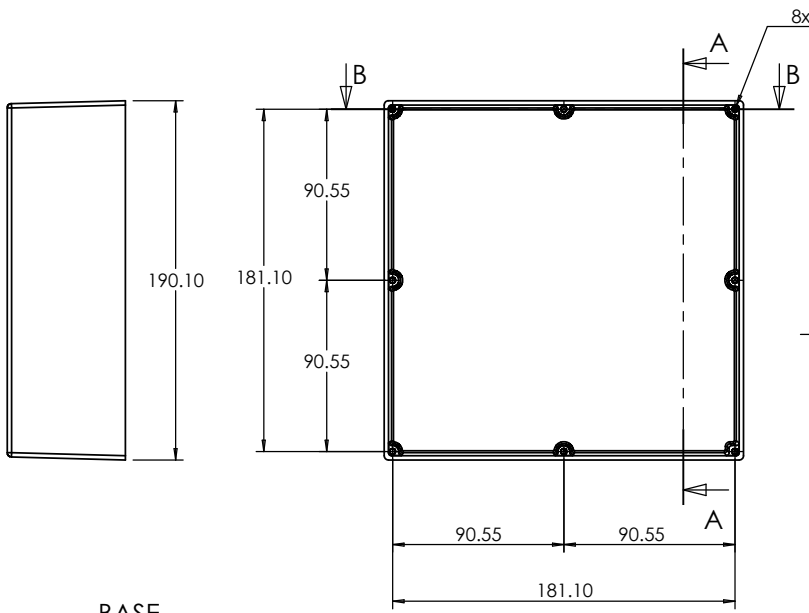
INTERNAL - 185.5 x 185.5 x 62.5



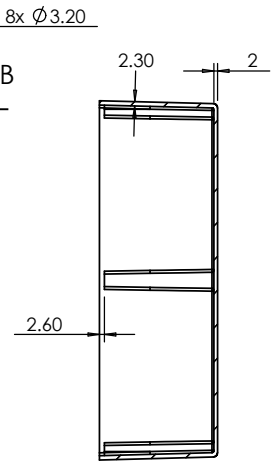
SECTION B-B



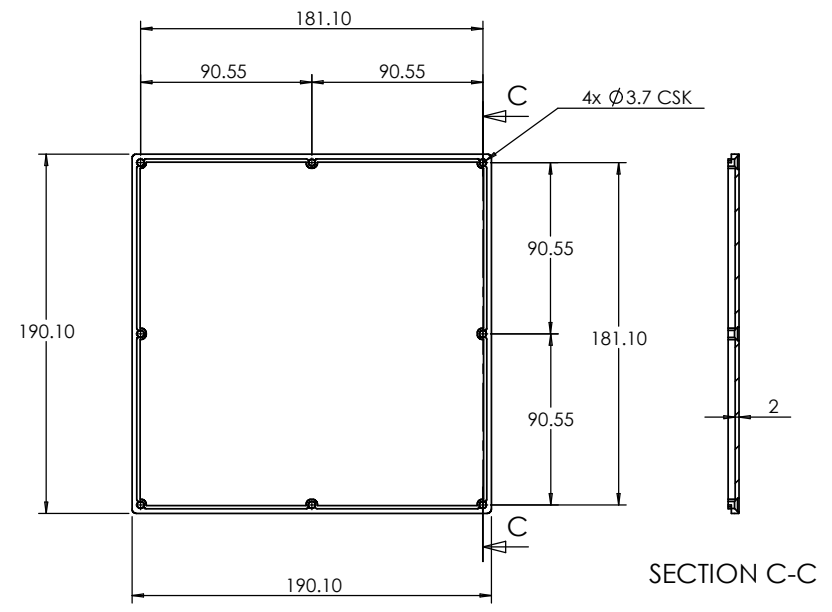
ISO VIEW  
1:6



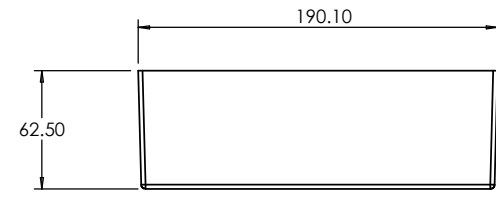
BASE



SECTION A-A



LID



		UNLESS OTHERWISE SPECIFIED: DIMENSIONS ARE IN MILLIMETERS		DO NOT SCALE DRAWING	REVISION. 0
		FINISH: <b>SMOOTH</b>		TITLE: <b>ASSEMBLY DRG FOR 5100-478</b>	
JAMES CARTER RD, MILDENHALL, SUFFOLK. IP28 7DE TEL: 01638 716101 FAX: 01638 716554 EMAIL: SALES@BOSS-ENCLOSURES.CO.UK WEB: WWW.BOSS-ENCLOSURES.CO.UK		MATERIAL: DIE-CAST ALUMINIUM		DWG NO. <b>5100-478</b>	A4
DRAWN	S.HARDINGE	SJH	22/12/05	SCALE: 1 : 4	SHEET 1 OF 1
CHK'D	-	-	-	PROJECTION.	