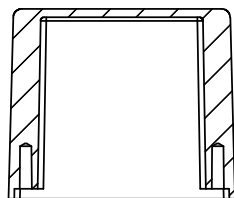


OVERALL ASSEMBLY DIMENSIONS:

EXTERNAL - 110.7 x 59.9 x 54.2

INTERNAL - 107.7 x 56.9 x 50

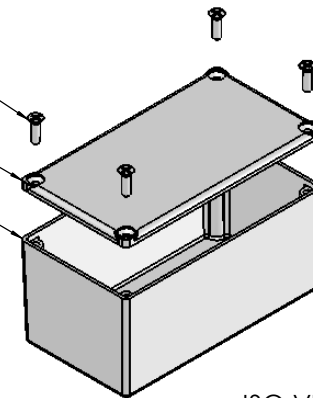


SECTION B-B

SELF TAPPING SCREW

LID

BASE



ISO VIEW
1:3



A

A

B

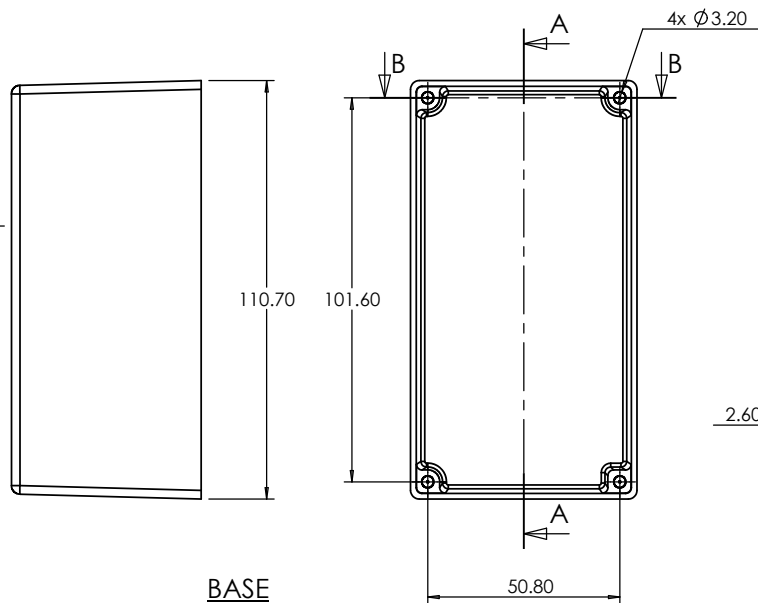
B

C

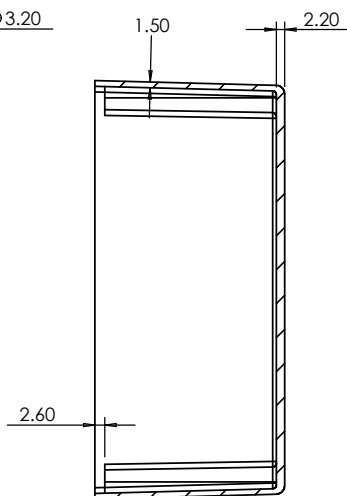
C

D

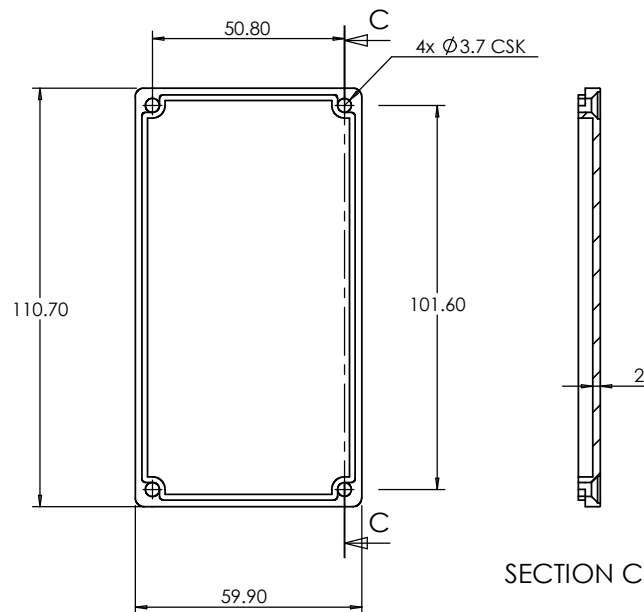
D



BASE

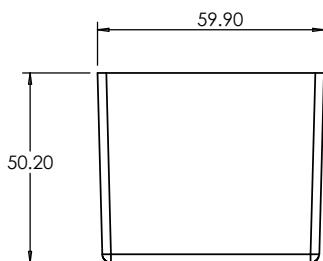


SECTION A-A



SECTION C-C

LID



		UNLESS OTHERWISE SPECIFIED: DIMENSIONS ARE IN MILLIMETERS		DO NOT SCALE DRAWING	REVISION. 0
		FINISH: SMOOTH		TITLE: DRG FOR 5100-479 BOX	
JAMES CARTER RD, MILDENHALL, SUFFOLK. IP28 7DE TEL: 01638 716101 FAX: 01638 716554 EMAIL: SALES@BOSS-ENCLOSURES.CO.UK WEB: www.BOSS-ENCLOSURES.CO.UK		MATERIAL: DIE-CAST ALUMINIUM		DWG NO. 5100-479	A4
DRAWN	S.HARDINGE	SIGNED	SJH	DATE	08/12/05
CHK'D	-	-	-	PROJECTION.	
				SCALE: 1 : 2	SHEET 1 OF 1