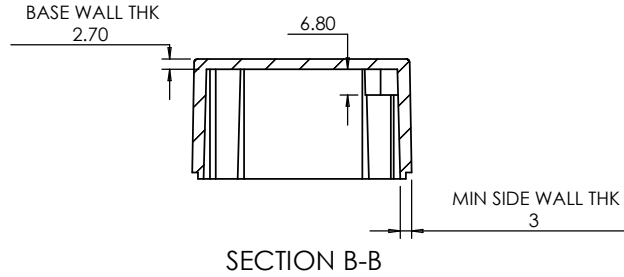


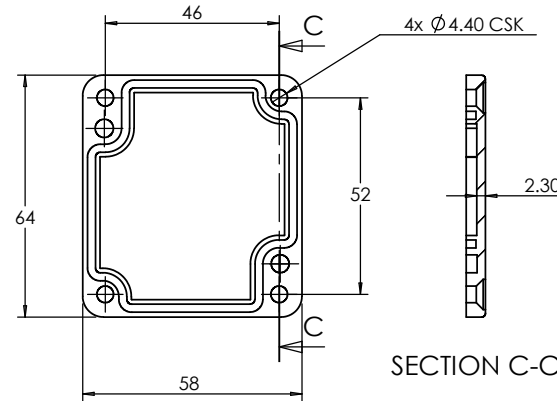
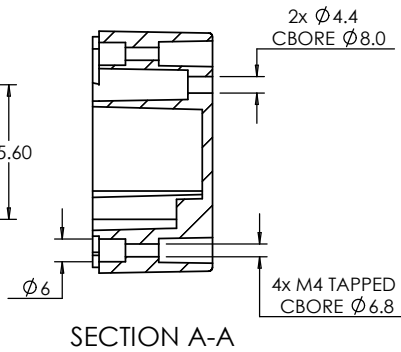
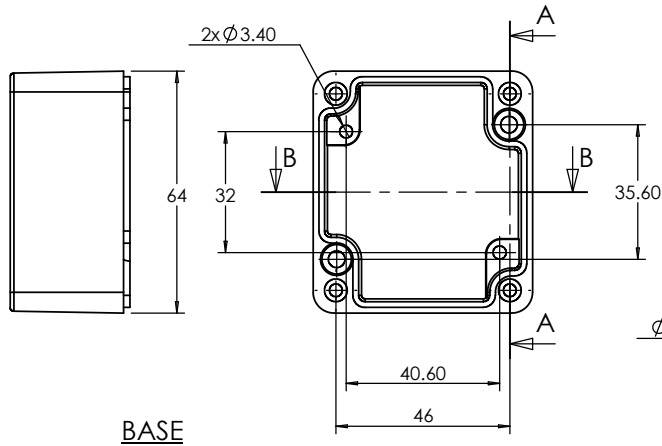
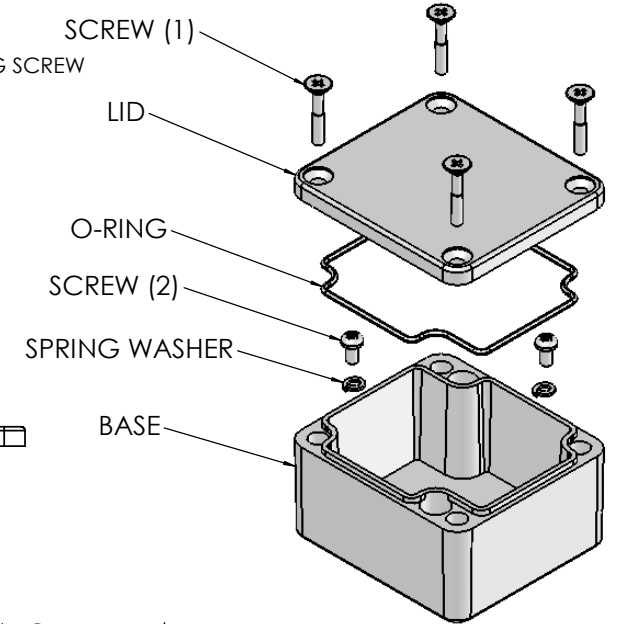
OVERALL ASSEMBLY DIMENSIONS:

EXTERNAL - 64 x 58 x 35.1

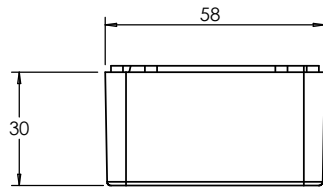
INTERNAL - 58 x 52 x 30



- (1) 4x M4 UNIT ASSEMBLY SCREW
- (2) 2x SELF-TAPPING INTERNAL MOUNTING SCREW



SECTION C-C



| | | | | | | | | | |
|--|--|---------------|--|--|--|---|--|---------------------------|--|
| <p>JAMES CARTER RD, MILDENHALL, SUFFOLK. IP28 7DE TEL: 01638 716101 FAX: 01638 716554 EMAIL: SALES@BOSS-ENCLOSURES.CO.UK WEB: www.BOSS-ENCLOSURES.CO.UK</p> | | | | UNLESS OTHERWISE SPECIFIED: DIMENSIONS ARE IN MILLIMETERS | | DO NOT SCALE DRAWING | | REVISION. 0 | |
| | | | | FINISH: SMOOTH | | TITLE: ASSEMBLY DRG FOR 5500-04 | | | |
| DRAWN S.HARDINGE | | SIGNED SJH | | DATE 04/01/06 | | MATERIAL: DIE-CAST ALUMINIUM | | DWG NO. 5500-04 | |
| CHK'D - | | - | | - | | PROJECTION. | | SCALE: 1 : 2 | |
| | | | | | | | | SHEET 1 OF 1 | |

A4