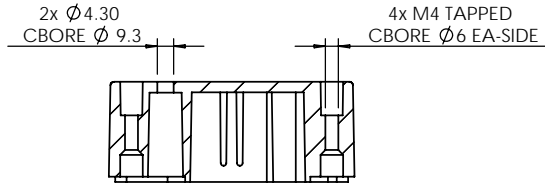


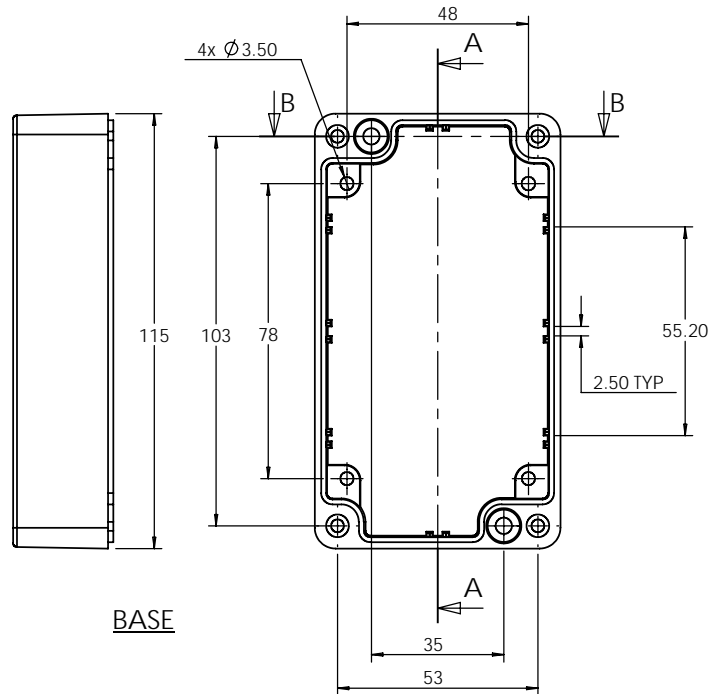
OVERALL ASSEMBLY DIMENSIONS:

EXTERNAL - 115 x 65 x 30.2

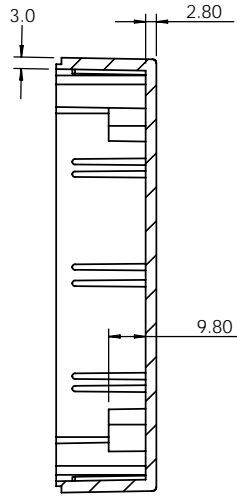
INTERNAL - 109 x 59 x 24.8



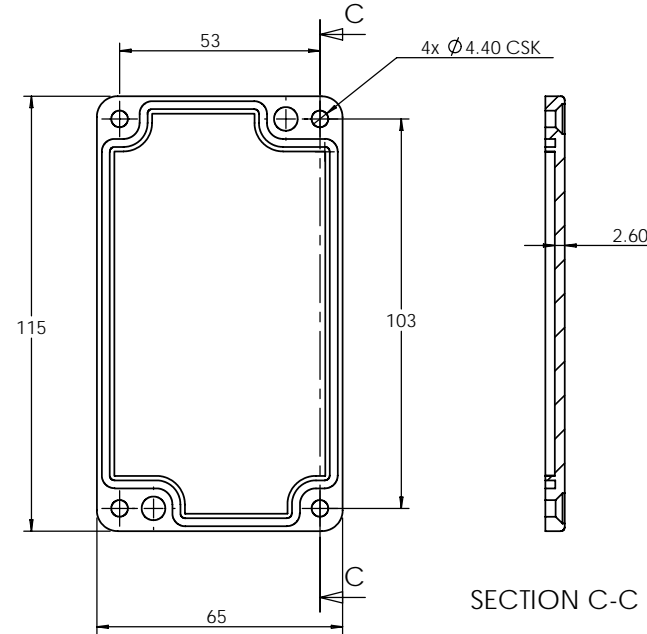
SECTION B-B



BASE



SECTION A-A

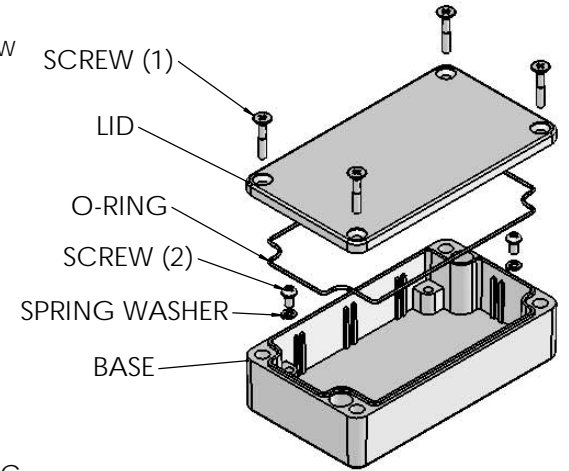


SECTION C-C

ISO VIEW
1:3

LID

- (1) 4x M4 UNIT ASSEMBLY SCREW
- (2) 2x SELF-TAPPING INTERNAL MOUNTING SCREW



		UNLESS OTHERWISE SPECIFIED: DIMENSIONS ARE IN MILLIMETERS		DO NOT SCALE DRAWING	REVISION. 0
		FINISH: SMOOTH		TITLE: ASSEMBLY DRG FOR 5500-06	
JAMES CARTER RD, MILDENHALL, SUFFOLK. IP28 7DE TEL: 01638 716101 FAX: 01638 716554 EMAIL: SALES@BOSS-ENCLOSURES.CO.UK WEB: www.BOSS-ENCLOSURES.CO.UK		MATERIAL: DIE-CAST ALUMINIUM		DWG NO. 5500-06	A4
DRAWN	S.HARDINGE	SIGNED	SJH	DATE	04/01/06
CHK'D	-	-	-	PROJECTION.	
				SCALE: 1:2	SHEET 1 OF 1