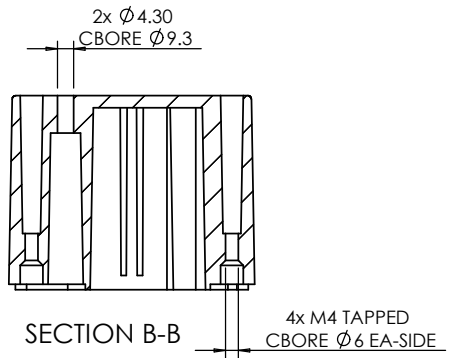


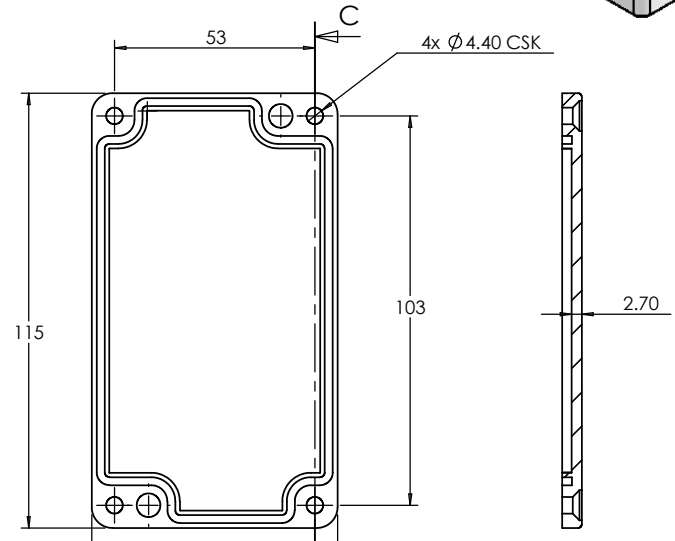
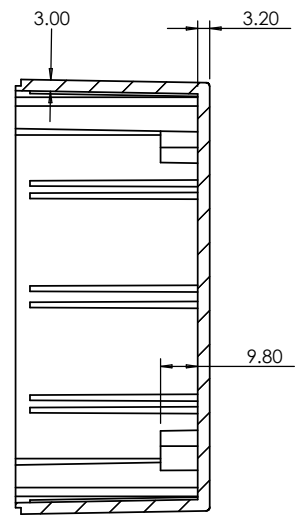
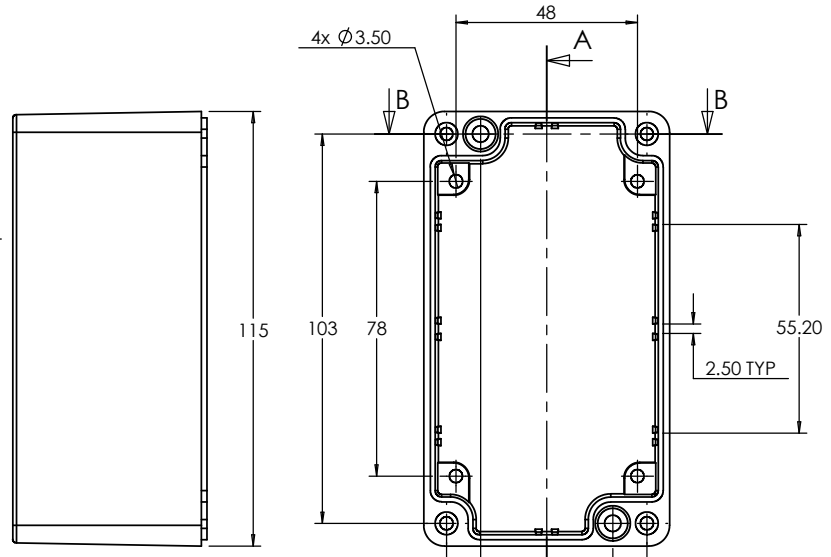
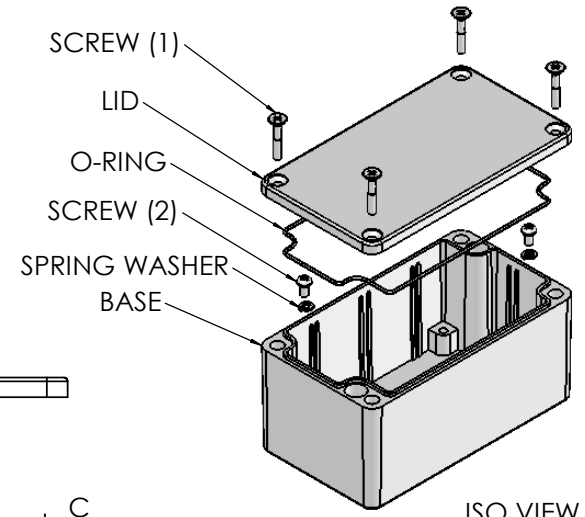
OVERALL ASSEMBLY DIMENSIONS:

EXTERNAL - 115 x 65 x 55.1

INTERNAL - 109 x 59 x 49.2



- (1) 4x M4 UNIT ASSEMBLY SCREW
- (2) 2x SELF-TAPPING INTERNAL MOUNTING SCREW

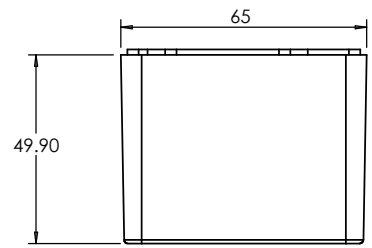


BASE

SECTION A-A

SECTION C-C

LID



		UNLESS OTHERWISE SPECIFIED: DIMENSIONS ARE IN MILLIMETERS		DO NOT SCALE DRAWING	REVISION. 0
		FINISH: SMOOTH		TITLE: ASSEMBLY DRG FOR 5500-11	
JAMES CARTER RD, MILDENHALL, SUFFOLK. IP28 7DE TEL: 01638 716101 FAX: 01638 716554 EMAIL: SALES@BOSS-ENCLOSURES.CO.UK WEB: WWW.BOSS-ENCLOSURES.CO.UK		MATERIAL: DIE-CAST ALUMINIUM		DWG NO. 5500-11	A4
DRAWN S.HARDINGE CHK'D -	SIGNED SJH -	DATE 05/01/06 -	PROJECTION:	SCALE: 1:2	SHEET 1 OF 1