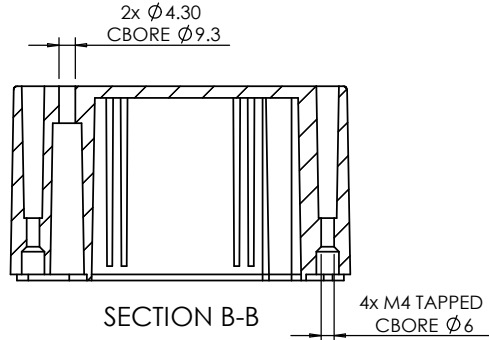


OVERALL ASSEMBLY DIMENSIONS:

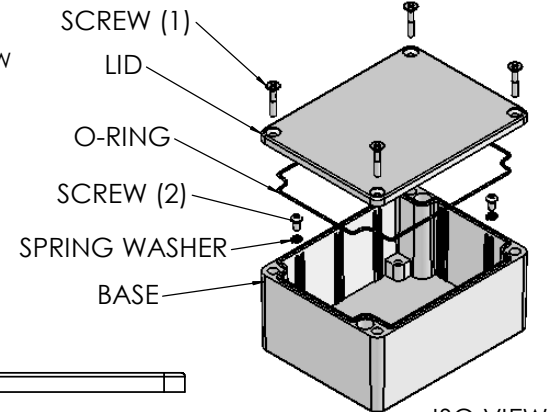
EXTERNAL - 115 x 89.9 x 54.9

INTERNAL - 109 x 83.9 x 49.2

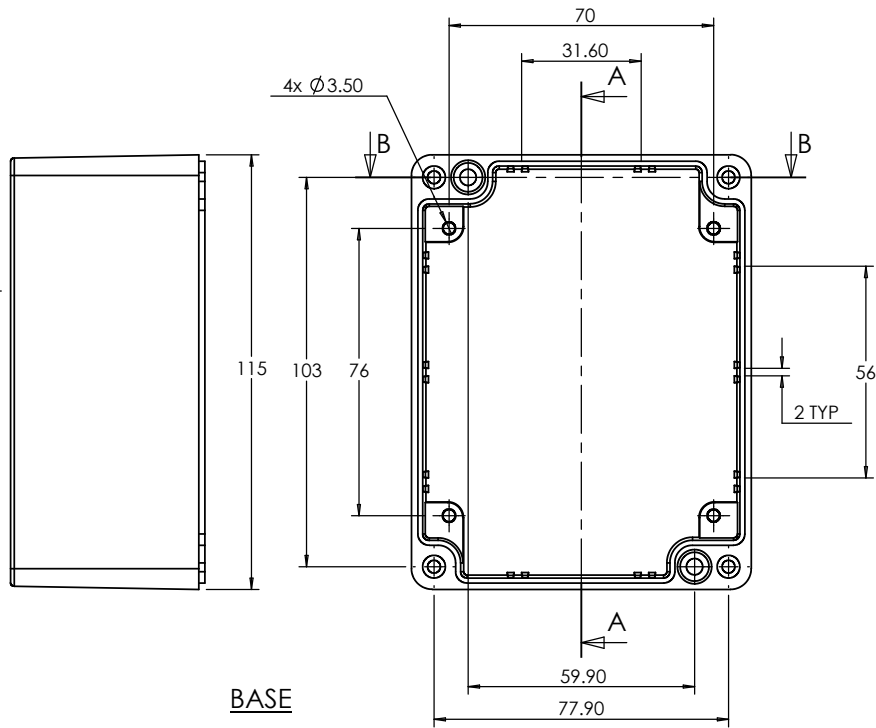
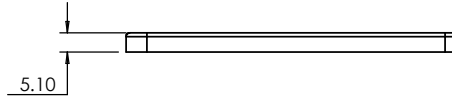


SECTION B-B

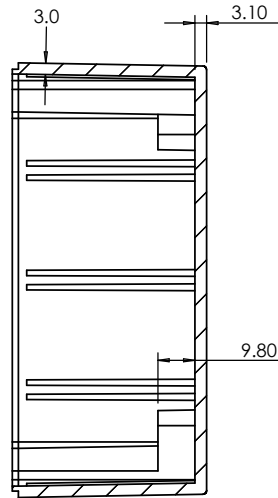
- (1) 4x M4 UNIT ASSEMBLY SCREW
- (2) 2x SELF-TAPPING INTERNAL MOUNTING SCREW



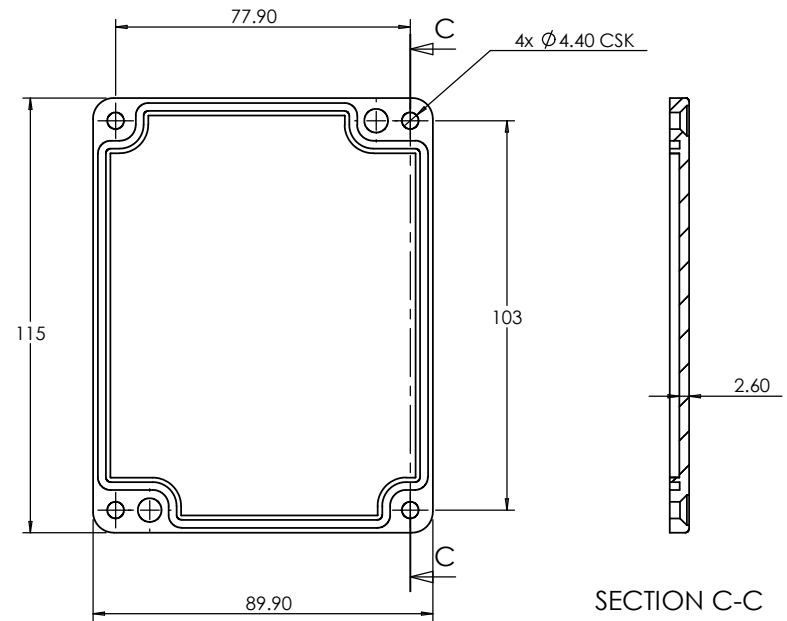
ISO VIEW
1:4



BASE



SECTION A-A



LID

SECTION C-C

 JAMES CARTER RD, MILDENHALL, SUFFOLK. IP28 7DE TEL: 01638 716101 FAX: 01638 716554 EMAIL: SALES@BOSS-ENCLOSURES.CO.UK WEB: www.BOSS-ENCLOSURES.CO.UK				UNLESS OTHERWISE SPECIFIED: DIMENSIONS ARE IN MILLIMETERS		DO NOT SCALE DRAWING		REVISION. 0		
				FINISH: SMOOTH		TITLE: ASSEMBLY DRG FOR 5500-13				
DRAWN S.HARDINGE		SIGNED SJH		DATE 05/01/06		MATERIAL: DIE-CAST ALUMINIUM		DWG NO. 5500-13		A4
CHK'D -		-		-		PROJECTION.		SCALE: 1:2		SHEET 1 OF 1