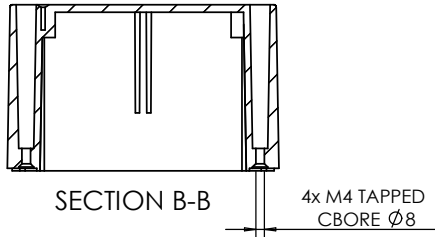


OVERALL ASSEMBLY DIMENSIONS:

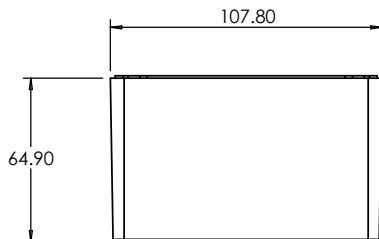
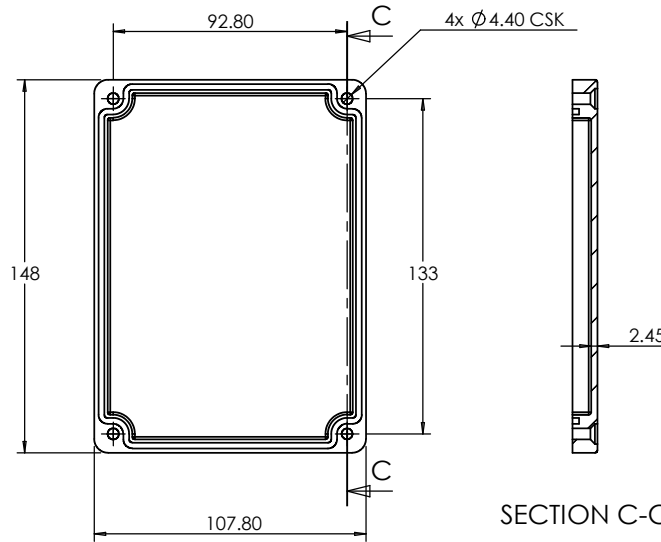
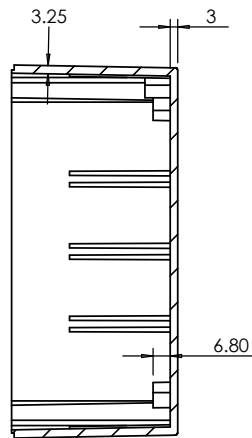
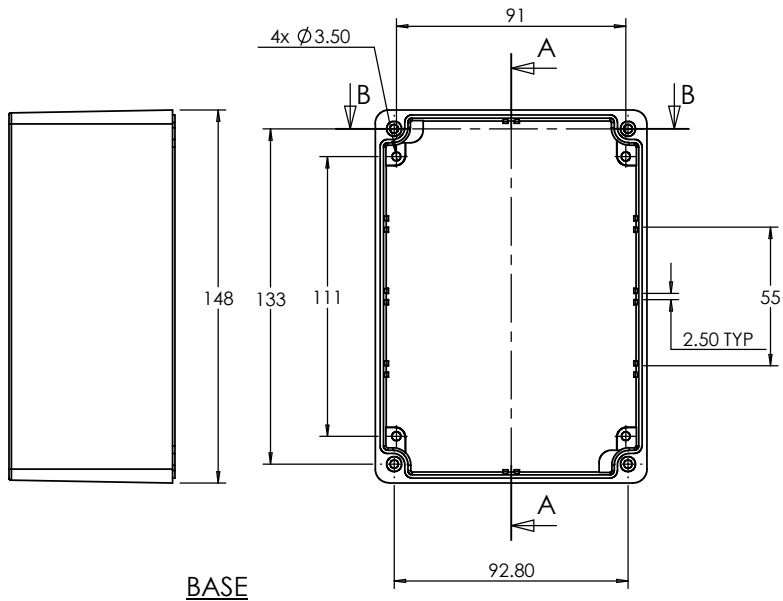
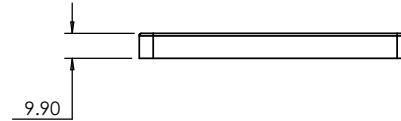
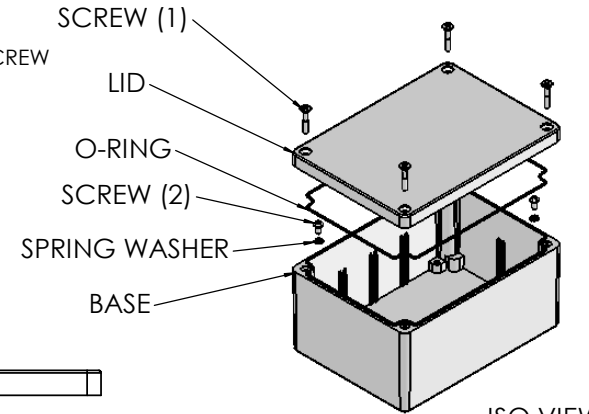
EXTERNAL - 148 x 107.8 x 74.8

INTERNAL - 141.5 x 101.3 x 69.3



(1) 4x M4 UNIT ASSEMBLY SCREW

(2) 2x SELF-TAPPING INTERNAL MOUNTING SCREW



		UNLESS OTHERWISE SPECIFIED: DIMENSIONS ARE IN MILLIMETERS		DO NOT SCALE DRAWING	REVISION. 0
		FINISH: <b>SMOOTH</b>		TITLE: <b>ASSEMBLY DRG FOR 5500-15</b>	
JAMES CARTER RD, MILDENHALL, SUFFOLK. IP28 7DE TEL: 01638 716101 FAX: 01638 716554 EMAIL: SALES@BOSS-ENCLOSURES.CO.UK WEB: www.BOSS-ENCLOSURES.CO.UK		MATERIAL: DIE-CAST ALUMINIUM		DWG NO.	<b>5500-15</b>
DRAWN	S.HARDINGE	SIGNED	SJH	DATE	06/01/06
CHK'D	-	-	-	PROJECTION.	
				SCALE: 1:3	SHEET 1 OF 1

A4