

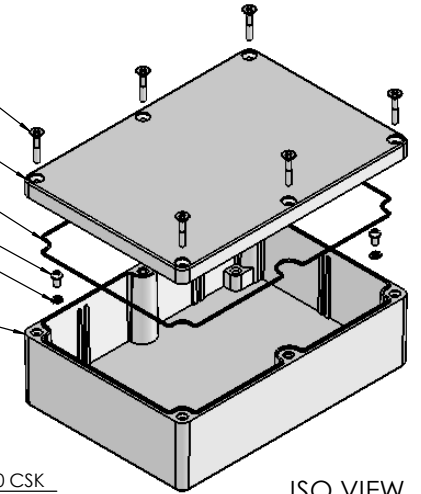
OVERALL ASSEMBLY DIMENSIONS:

EXTERNAL - 171 x 120.9 x 54.9

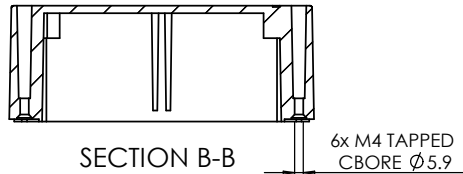
INTERNAL - 164.5 x 114.4 x 49.4

- (1) 6x M4 UNIT ASSEMBLY SCREW
- (2) 2x SELF-TAPPING INTERNAL MOUNTING SCREW

- SCREW (1)
- LID
- O-RING
- SCREW (2)
- SPRING WASHER
- BASE

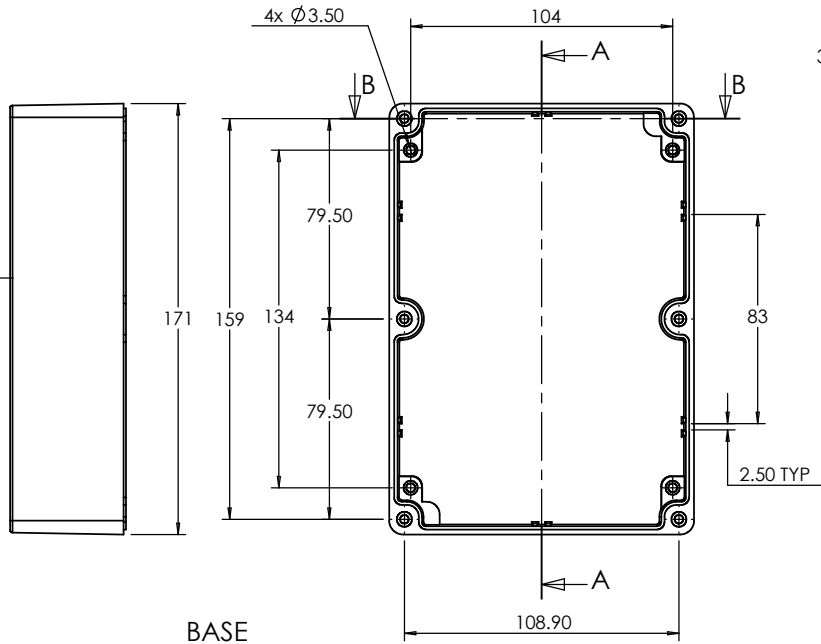
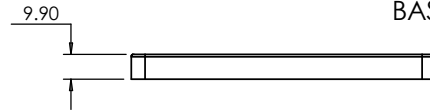


ISO VIEW  
1:4

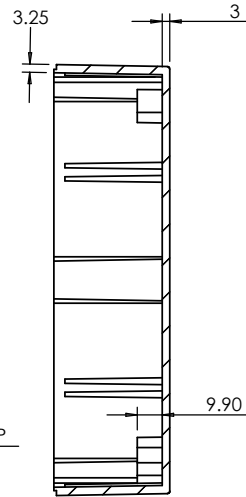


SECTION B-B

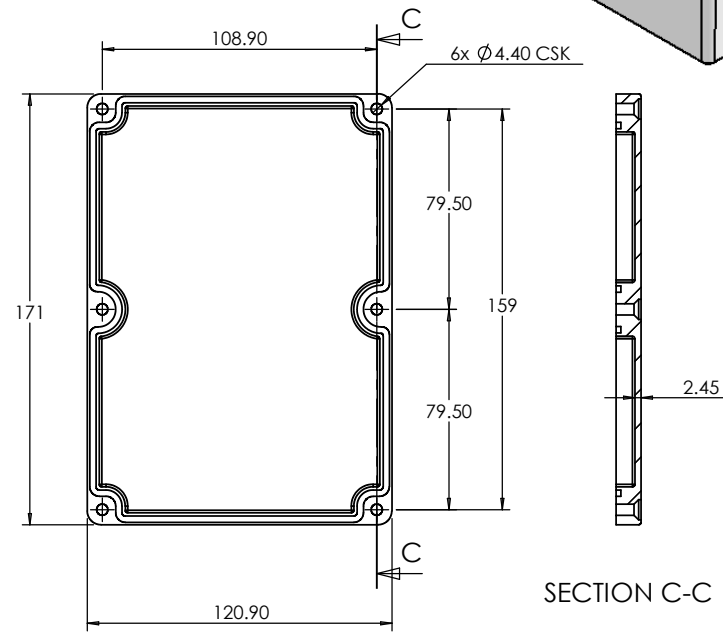
6x M4 TAPPED  
CBORE Ø5.9



BASE



SECTION A-A



LID

SECTION C-C

		UNLESS OTHERWISE SPECIFIED: DIMENSIONS ARE IN MILLIMETERS		DO NOT SCALE DRAWING	REVISION. 0
		FINISH: <b>SMOOTH</b>		TITLE: <b>ASSEMBLY DRG FOR 5500-20</b>	
JAMES CARTER RD, MILDENHALL, SUFFOLK. IP28 7DE TEL: 01638 716101 FAX: 01638 716554 EMAIL: SALES@BOSS-ENCLOSURES.CO.UK WEB: www.BOSS-ENCLOSURES.CO.UK		MATERIAL: DIE-CAST ALUMINIUM		DWG NO. <b>5500-20</b>	A4
DRAWN	S.HARDINGE	SIGNED	SJH	DATE	09/01/06
CHK'D	-	-	-	-	-
PROJECTION.				SCALE: 1 : 3	SHEET 1 OF 1