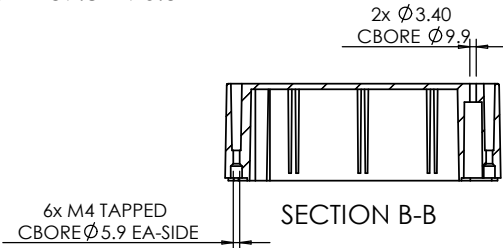


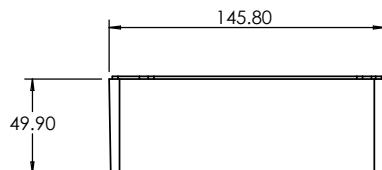
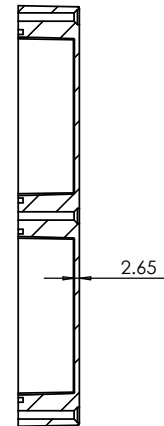
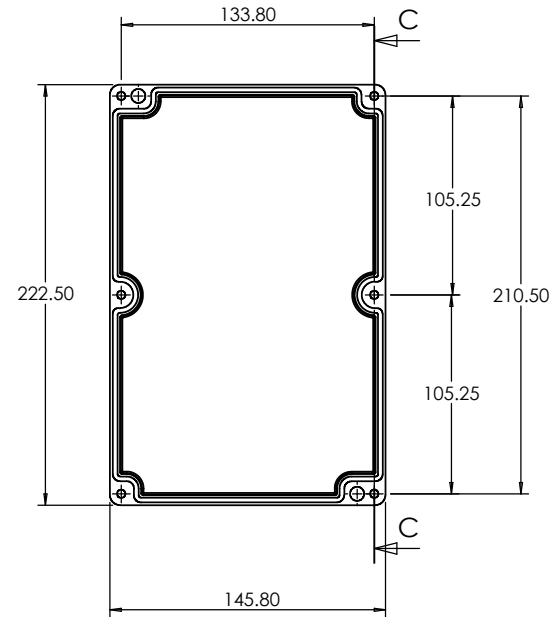
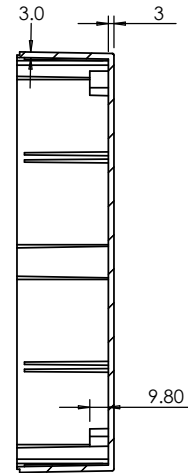
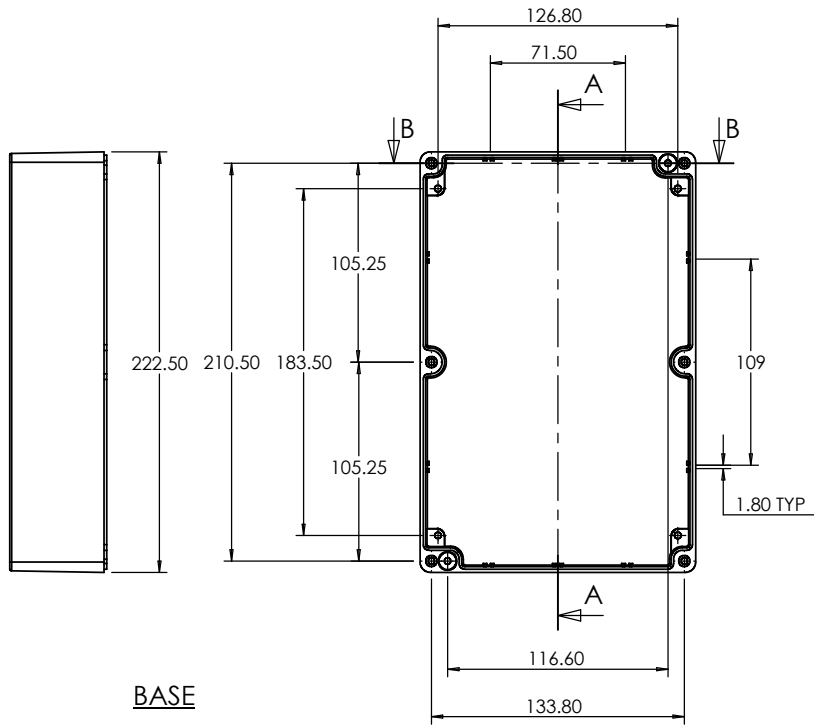
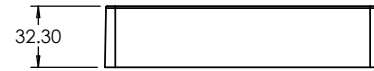
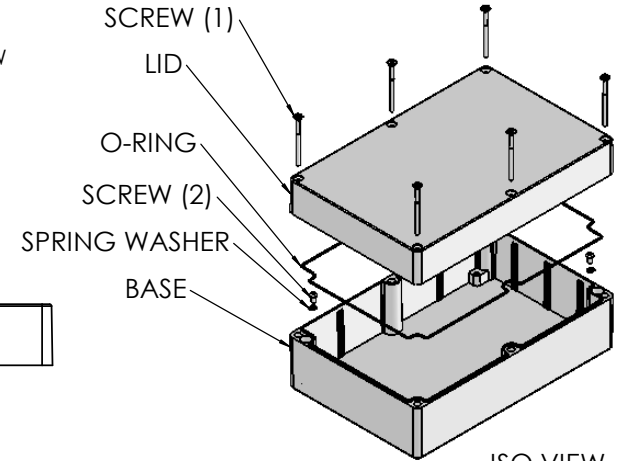
OVERALL ASSEMBLY DIMENSIONS:

EXTERNAL - 222.5 x 145.8 x 82.2

INTERNAL - 116.5 x 139.8 x 76.5



- (1) 6x M4 UNIT ASSEMBLY SCREW
- (2) 2x SELF-TAPPING INTERNAL MOUNTING SCREW



		UNLESS OTHERWISE SPECIFIED: DIMENSIONS ARE IN MILLIMETERS		DO NOT SCALE DRAWING	REVISION. 0
		FINISH: SMOOTH		TITLE: ASSEMBLY DRG FOR 5500-25	
JAMES CARTER RD, MILDENHALL, SUFFOLK. IP28 7DE TEL: 01638 716101 FAX: 01638 716554 EMAIL: SALES@BOSS-ENCLOSURES.CO.UK WEB: www.BOSS-ENCLOSURES.CO.UK		MATERIAL: DIE-CAST ALUMINIUM		DWG NO.	5500-25
DRAWN	S.HARDINGE	SIGNED	SJH	DATE	10/01/06
CHK'D	-	-	-	PROJECTION.	
				SCALE: 1 : 4	SHEET 1 OF 1

A4