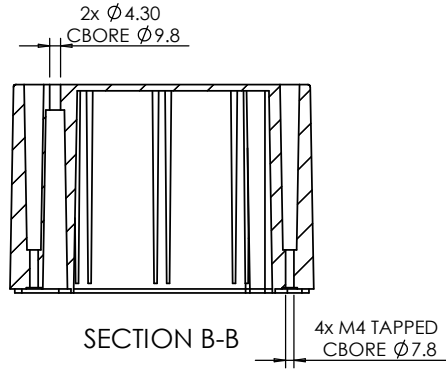


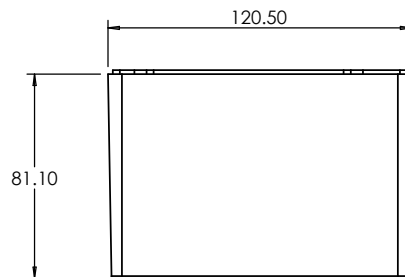
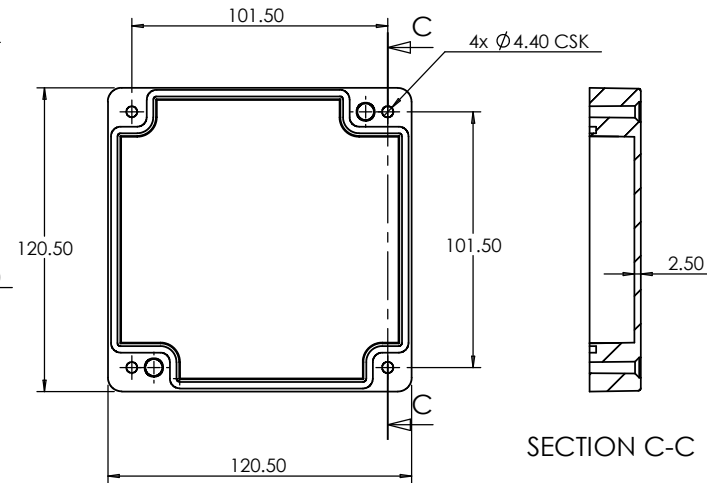
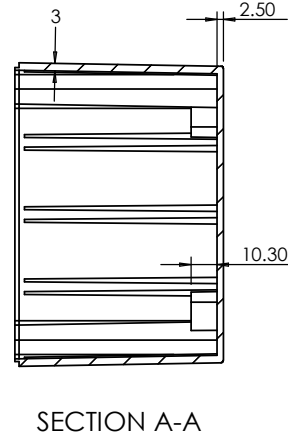
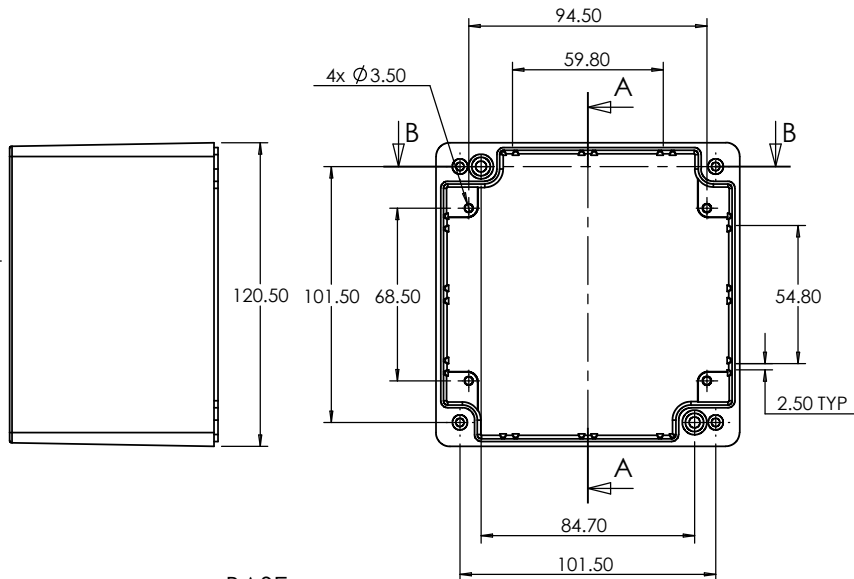
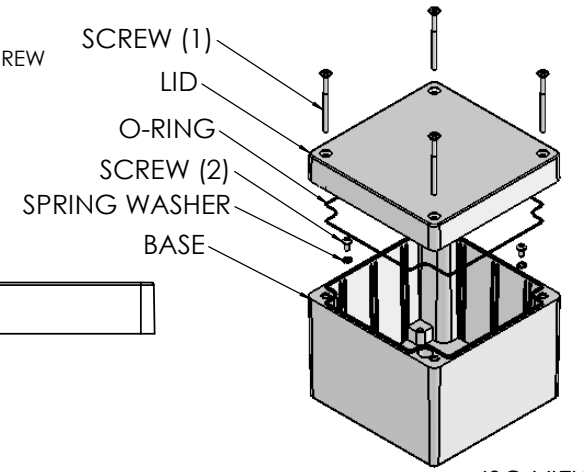
OVERALL ASSEMBLY DIMENSIONS:

EXTERNAL - 120.5 X 120.5 x 101.4

INTERNAL - 114.5 x 114.5 x 96.4



- (1) 4x M4 UNIT ASSEMBLY SCREW
- (2) 2x SELF-TAPPING INTERNAL MOUNTING SCREW



		UNLESS OTHERWISE SPECIFIED: DIMENSIONS ARE IN MILLIMETERS		DO NOT SCALE DRAWING	REVISION. 0
		FINISH: SMOOTH		TITLE: ASSEMBLY DRG FOR 5500-37	
JAMES CARTER RD, MILDENHALL, SUFFOLK. IP28 7DE TEL: 01638 716101 FAX: 01638 716554 EMAIL: SALES@BOSS-ENCLOSURES.CO.UK WEB: www.BOSS-ENCLOSURES.CO.UK		MATERIAL: DIE-CAST ALUMINIUM		DWG NO.	5500-37
DRAWN	S.HARDINGE	SJH	06/01/06	SCALE: 1 : 3	
CHK'D	-	-	-	PROJECTION.	SHEET 1 OF 1