

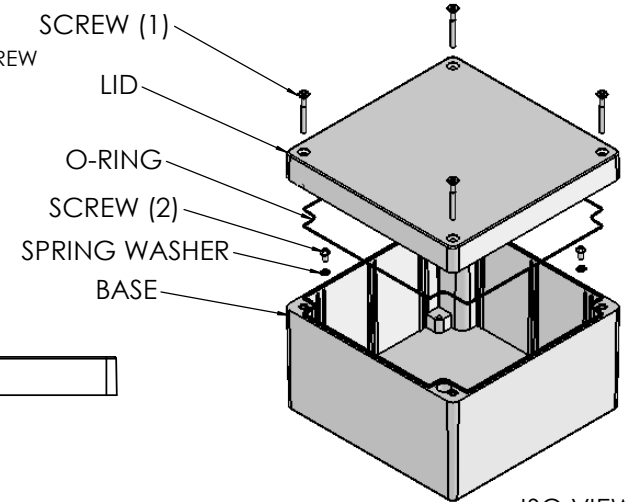
OVERALL ASSEMBLY DIMENSIONS:

EXTERNAL - 158.5 x 158.5 x 101.5

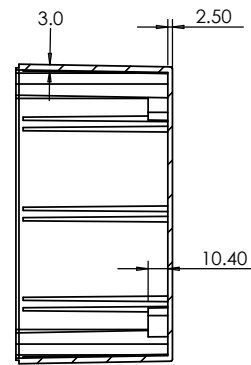
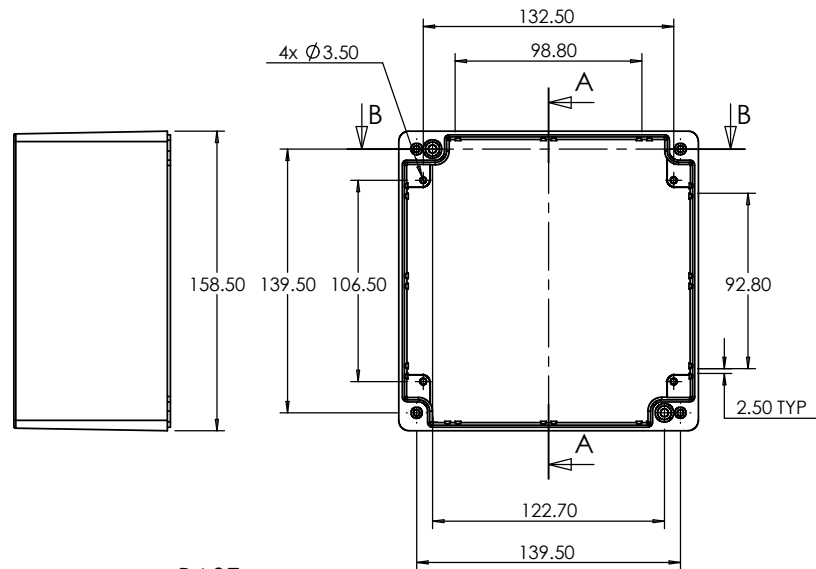
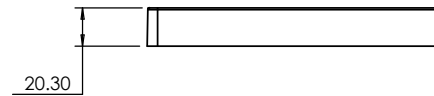
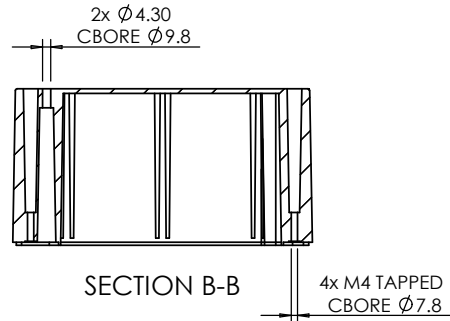
INTERNAL - 152.5 x 152.5 x 96.5

(1) 4x M4 UNIT ASSEMBLY SCREW

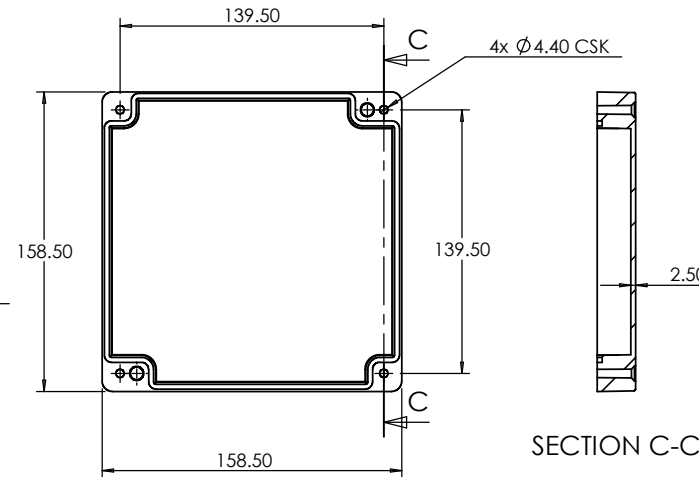
(2) 2x SELF-TAPPING INTERNAL MOUNTING SCREW



ISO VIEW  
1:5



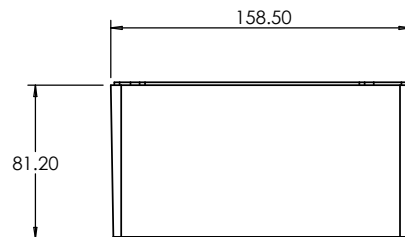
SECTION A-A



SECTION C-C

LID

BASE



		UNLESS OTHERWISE SPECIFIED: DIMENSIONS ARE IN MILLIMETERS		DO NOT SCALE DRAWING	REVISION. 0
		FINISH: <b>SMOOTH</b>		TITLE: <b>ASSEMBLY DRG FOR 5500-39</b>	
JAMES CARTER RD, MILDENHALL, SUFFOLK. IP28 7DE TEL: 01638 716101 FAX: 01638 716554 EMAIL: SALES@BOSS-ENCLOSURES.CO.UK WEB: www.BOSS-ENCLOSURES.CO.UK		MATERIAL: DIE-CAST ALUMINIUM		DWG NO.	<b>5500-39</b>
DRAWN	S.HARDINGE	SIGNED	SJH	DATE	06/01/06
CHK'D	-	-	-	-	-
PROJECTION.				SCALE: 1 : 4	SHEET 1 OF 1

A4