

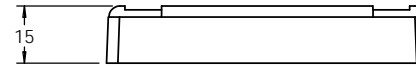
OVERALL ASSEMBLY DIMENSIONS:

EXTERNAL - 110 x 85 x 35

INTERNAL - 105 x 80 x 28.5



SECTION B-B

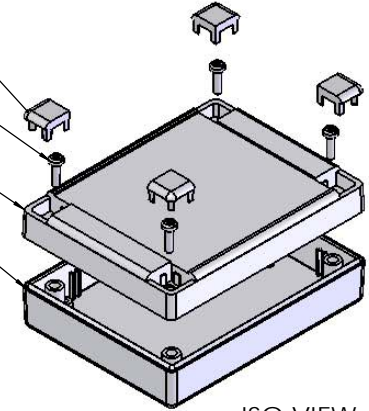


CORNER/SREW CAP

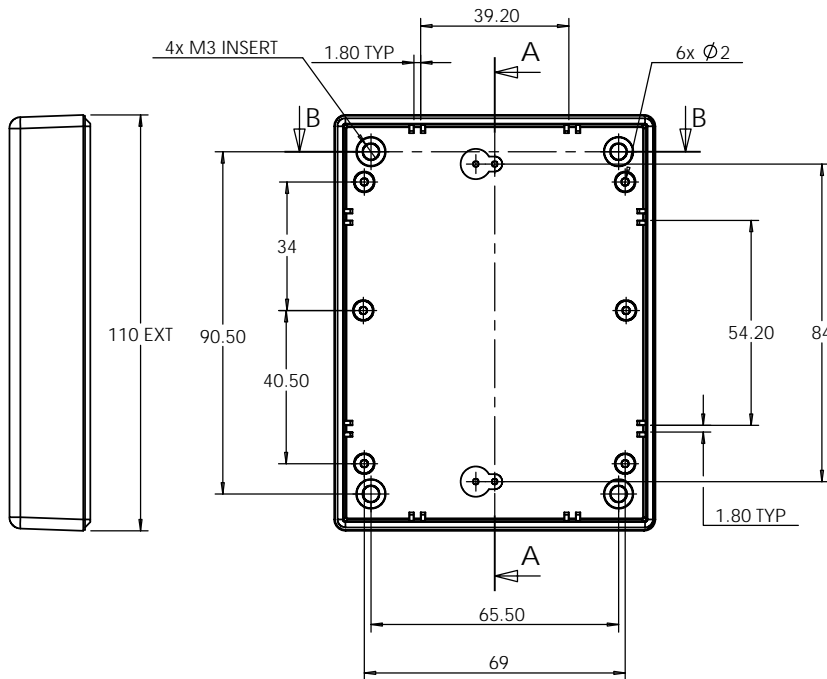
M3 SCREW

LID

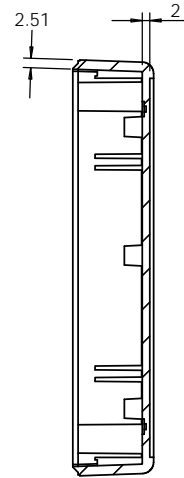
BASE



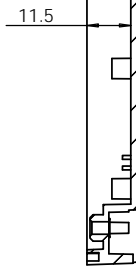
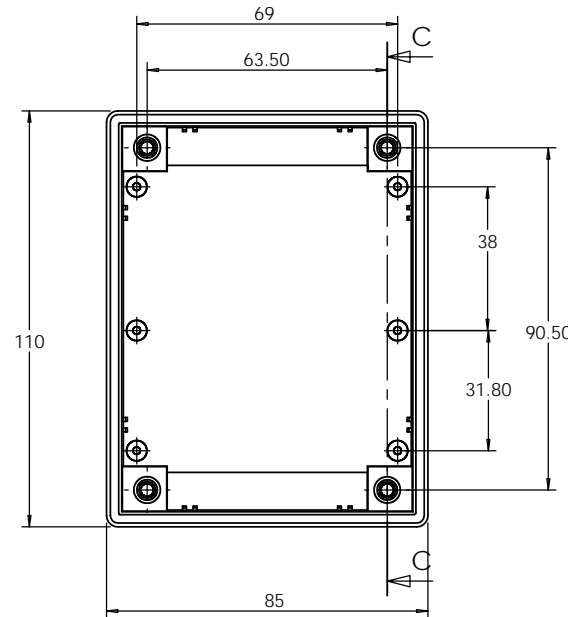
ISO VIEW  
1:3



BASE

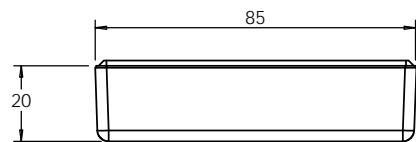


SECTION A-A



SECTION C-C

LID



<p>JAMES CARTER RD, MILDENHALL, SUFFOLK. IP28 7DE TEL: 01638 716101 FAX: 01638 716554 EMAIL: SALES@BOSS-ENCLOSURES.CO.UK WEB: WWW.BOSS-ENCLOSURES.CO.UK</p>				UNLESS OTHERWISE SPECIFIED: DIMENSIONS ARE IN MILLIMETERS		DO NOT SCALE DRAWING		REVISION. 0		
				FINISH: LIGHT SPARK		TITLE: ASSEMBLY DRG 7003/13				
DRAWN S.HARDINGE		SIGNED SJH		DATE 11/10/05		MATERIAL. ABS		DWG NO. 7003,13		A4
CHK'D		-		-		PROJECTION.		SCALE: 1:2		SHEET 1 OF 1