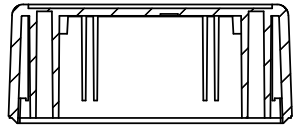


OVERALL ASSEMBLY DIMENSIONS:

EXTERNAL - 127 x 75 x 45

INTERNAL - 122 x 70 x 38.5



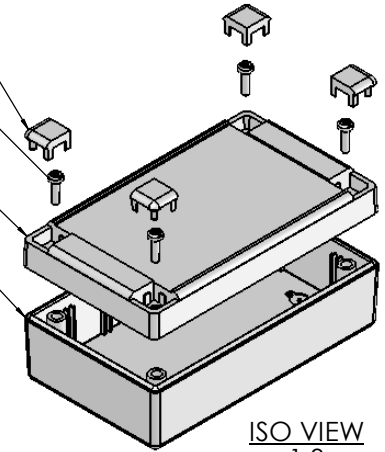
SECTION C-C

CORNER/SCREW CAP

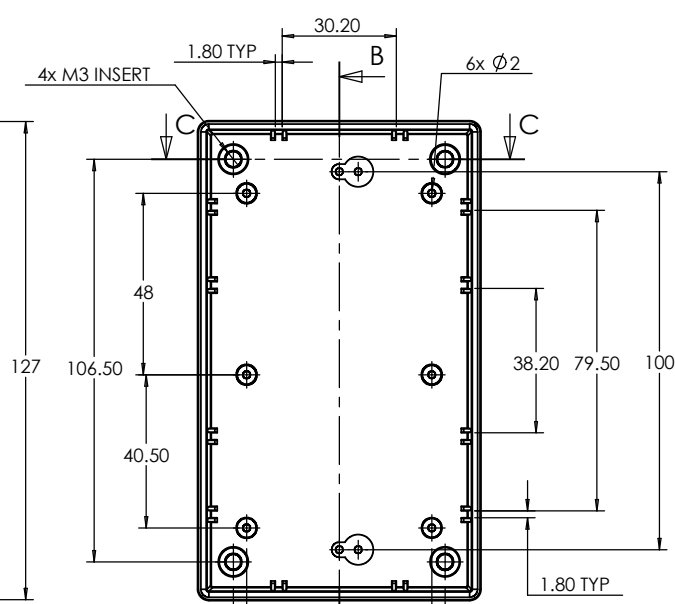
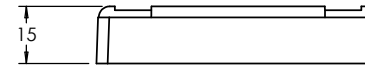
ME SCREW

LID

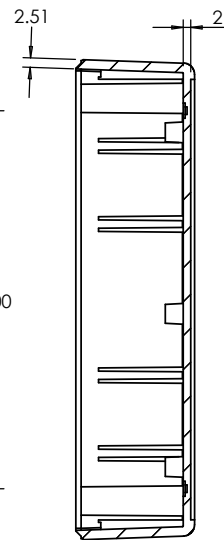
BASE



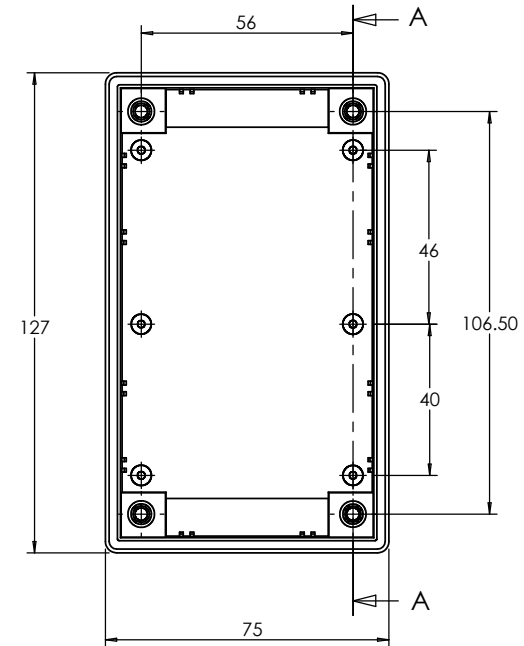
ISO VIEW
1:3



BASE



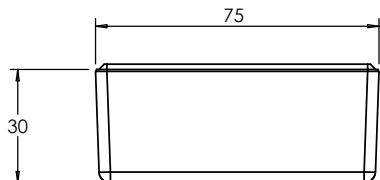
SECTION B-B



11.5

SECTION A-A

LID



		UNLESS OTHERWISE SPECIFIED: DIMENSIONS ARE IN MILLIMETERS		DO NOT SCALE DRAWING	REVISION. 0
		FINISH: LIGHT SPARK		TITLE: ASSEMBLY DRG FOR 7005/15	
JAMES CARTER RD, MILDENHALL, SUFFOLK. IP28 7DE TEL: 01638 716101 FAX: 01638 716554 EMAIL: SALES@BOSS-ENCLOSURES.CO.UK WEB: www.BOSS-ENCLOSURES.CO.UK		MATERIAL: ABS	DWG NO. 7005,15	A4	
DRAWN S.HARDINGE	SIGNED SJH	DATE 11/10/05	PROJECTION. 	SCALE: 1:2	SHEET 1 OF 1