

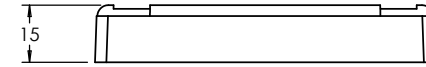
OVERALL ASSEMBLY DIMENSIONS:

EXTERNAL - 145 x 90 x 45.5

INTERNAL - 140 x 85 x 39



SECTION B-B

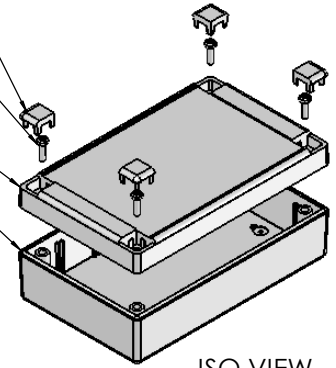


CORNER/SCREW CAP

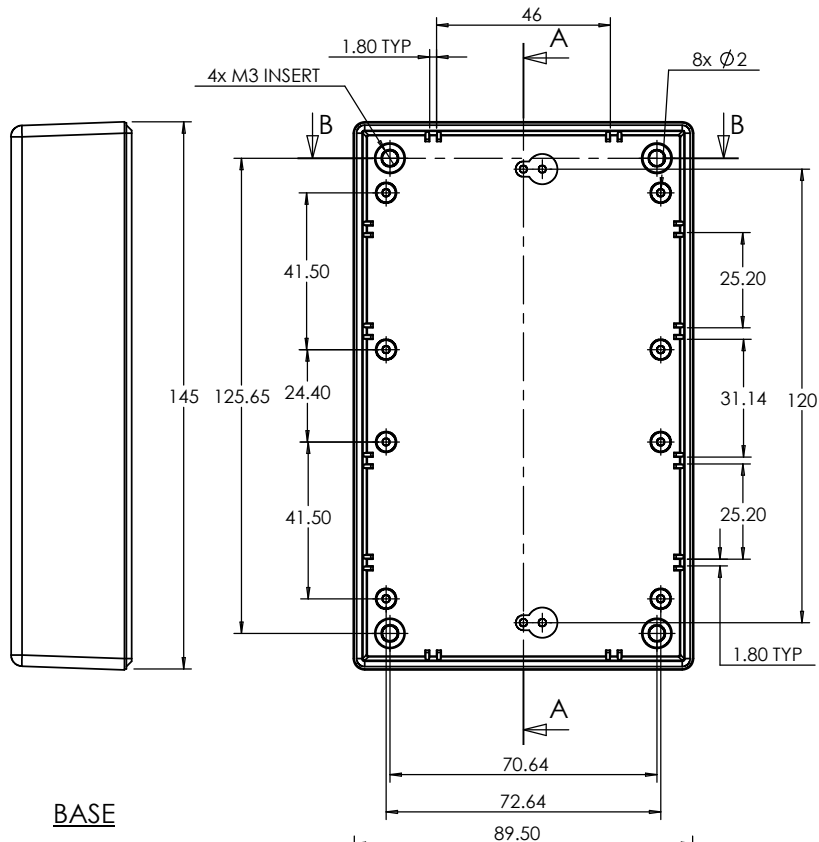
M3 SCREW

LID

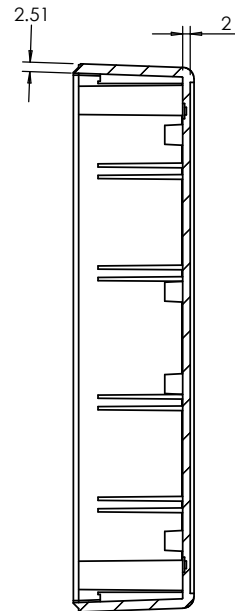
BASE



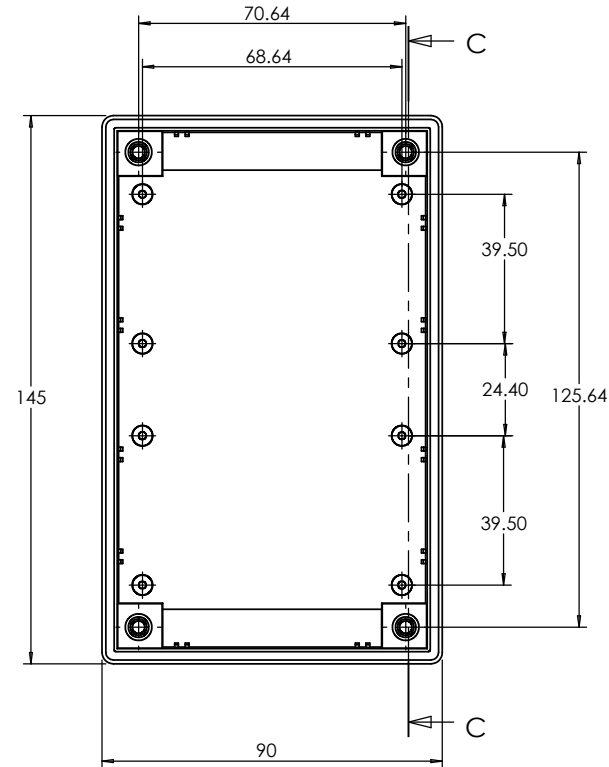
ISO VIEW
1:4



BASE

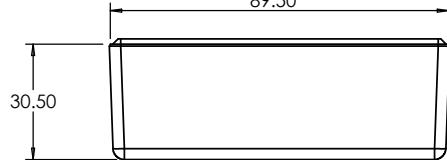


SECTION A-A



SECTION C-C

LID



<p>JAMES CARTER RD, MILDENHALL, SUFFOLK. IP28 7DE TEL: 01638 716101 FAX: 01638 716554 EMAIL: SALES@BOSS-ENCLOSURES.CO.UK WEB: www.BOSS-ENCLOSURES.CO.UK</p>				UNLESS OTHERWISE SPECIFIED: DIMENSIONS ARE IN MILLIMETERS		DO NOT SCALE DRAWING		REVISION. 0		
				FINISH: LIGHT SPARK		TITLE: ASSEMBLY DRG FOR 7006/16				
DRAWN S.HARDINGE		SIGNED SJH		DATE 12/10/05		MATERIAL: ABS		DWG NO. 7006,16		A4
CHK'D -		-		-		PROJECTION.		SCALE: 1:2		SHEET 1 OF 1