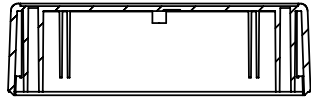


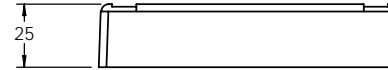
OVERALL ASSEMBLY DIMENSIONS:

EXTERNAL - 190 x 120 x 60

INTERNAL - 185 x 115 x 53.5



SECTION B-B

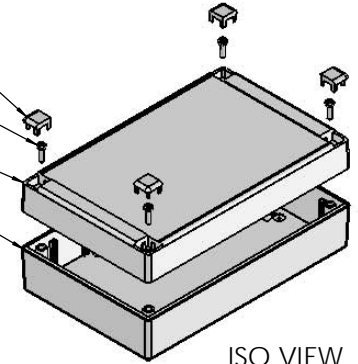


CORNER/SCREW CAP

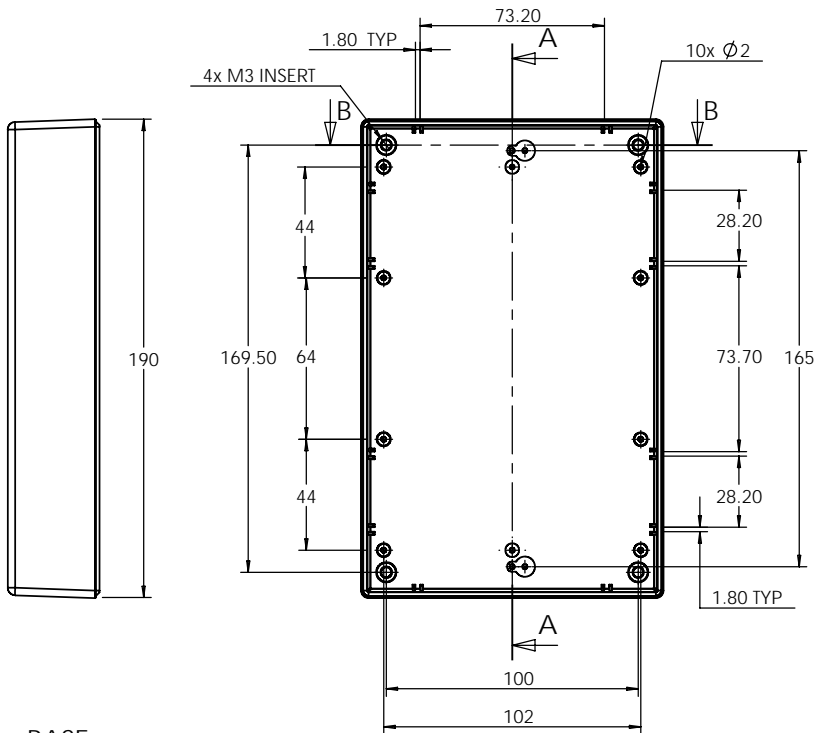
M3 SCREW

LID

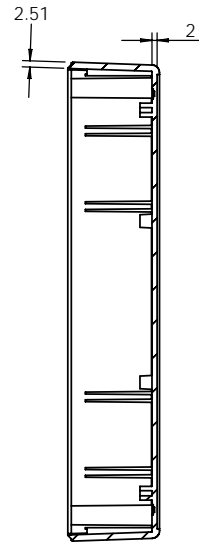
BASE



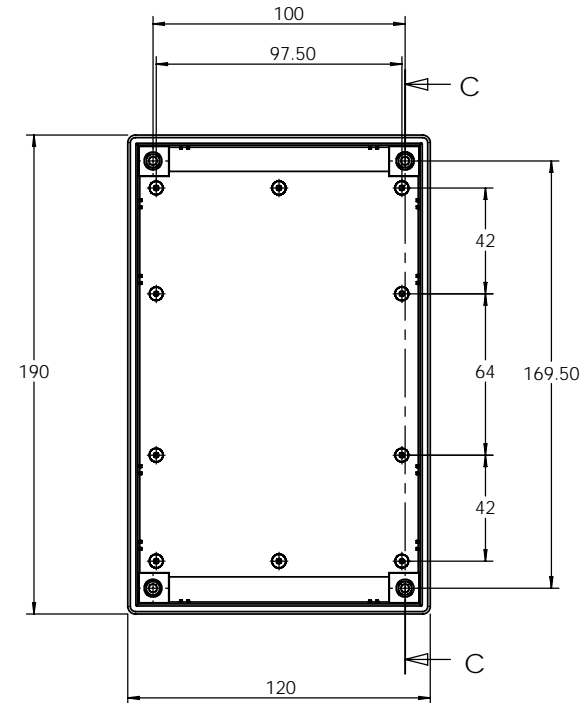
ISO VIEW
1:5



BASE

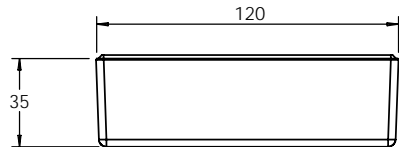


SECTION A-A



SECTION C-C

LID



<p>JAMES CARTER RD, MILDENHALL, SUFFOLK. IP28 7DE TEL: 01638 716101 FAX: 01638 716554 EMAIL: SALES@BOSS-ENCLOSURES.CO.UK WEB: www.BOSS-ENCLOSURES.CO.UK</p>				UNLESS OTHERWISE SPECIFIED: DIMENSIONS ARE IN MILLIMETERS		DO NOT SCALE DRAWING		REVISION. 0	
				FINISH: LIGHT SPARK		TITLE: ASSEMBLY DRG FOR 7007/17			
DRAWN S.HARDINGE		SIGNED SJH	DATE 12/11/05	MATERIAL: ABS		DWG NO. 7007,17		A4	
CHK'D -		-	-	PROJECTION.		SCALE: 1:3		SHEET 1 OF 1	