

OVERALL ASSEMBLY DIMENSIONS:

EXTERNAL - 220 x 145 x 50

INTERNAL - 215 x 140 x 43.5

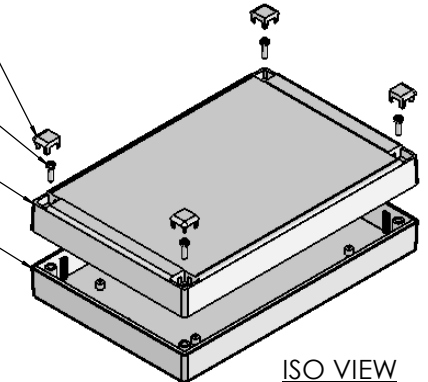
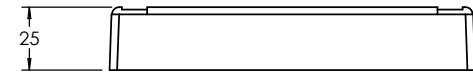
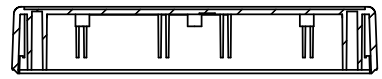
CORNER/SCREW CAP

M3 SCREW

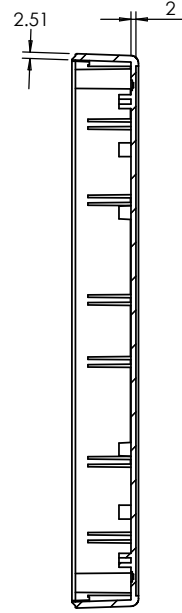
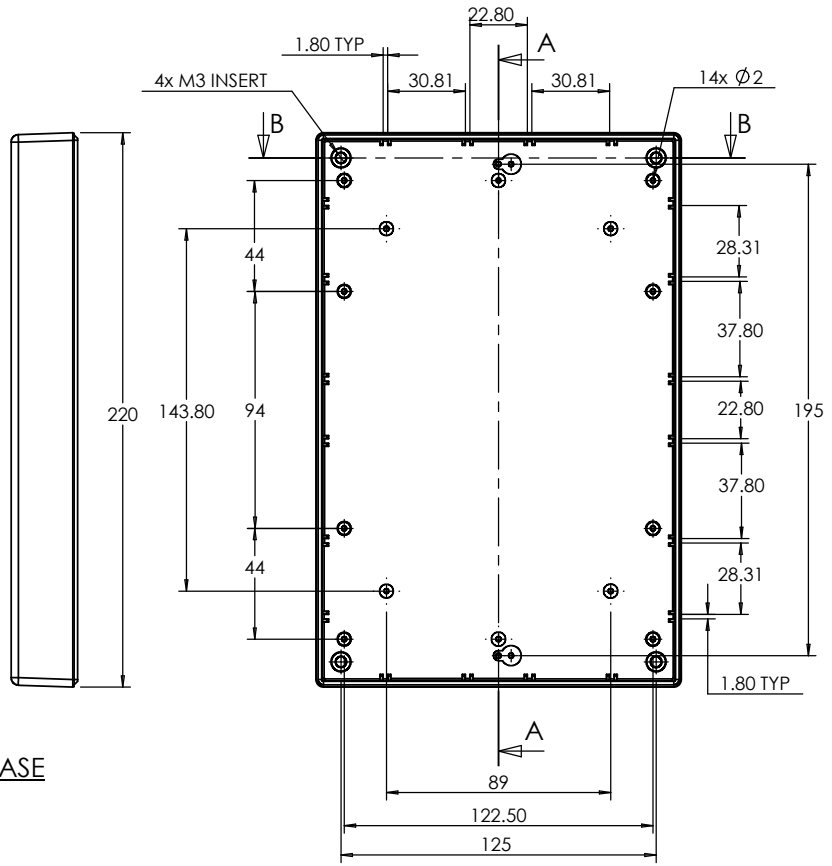
LID

BASE

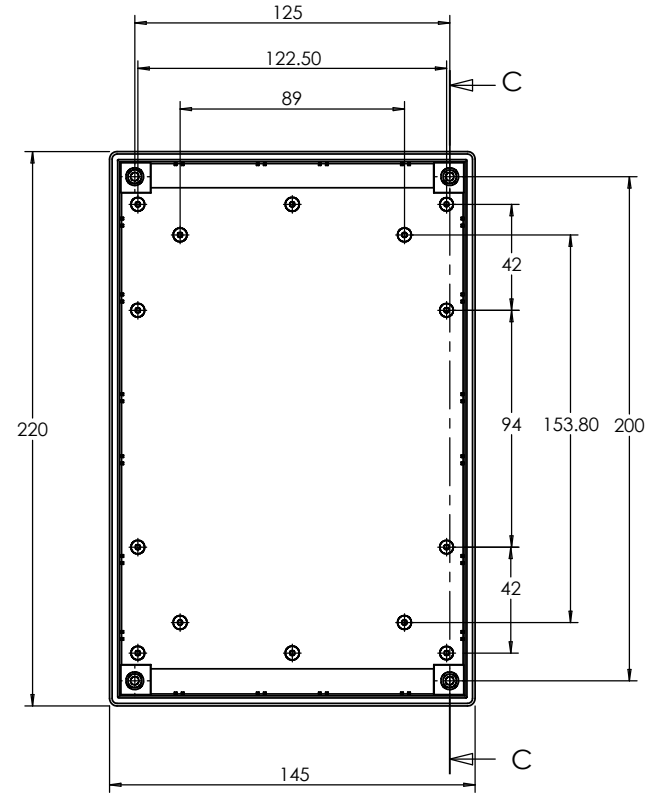
ISO VIEW
1:5



SECTION B-B



SECTION A-A



SECTION C-C

LID

BASE

<p>JAMES CARTER RD, MILDENHALL, SUFFOLK. IP28 7DE TEL: 01638 716101 FAX: 01638 716554 EMAIL: SALES@BOSS-ENCLOSURES.CO.UK WEB: www.BOSS-ENCLOSURES.CO.UK</p>				UNLESS OTHERWISE SPECIFIED: DIMENSIONS ARE IN MILLIMETERS		DO NOT SCALE DRAWING		REVISION. 0	
				FINISH: LIGHT SPARK		TITLE: ASSEMBLY DRG FOR 7008/18			
DRAWN S.HARDINGE		SIGNED SJH		DATE 13/10/05		MATERIAL: ABS		DWG NO. 7008,18	
CHK'D -		-		-		PROJECTION. 		SCALE: 1 : 3	
								SHEET 1 OF 1	

A4