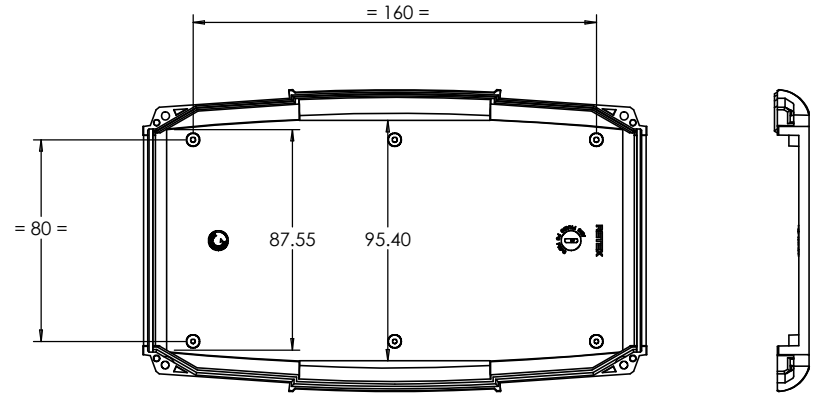
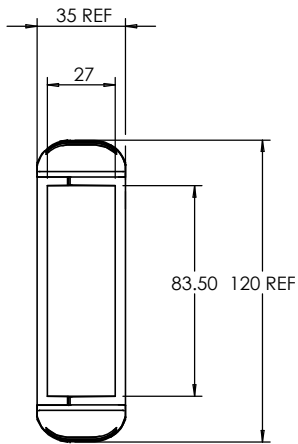
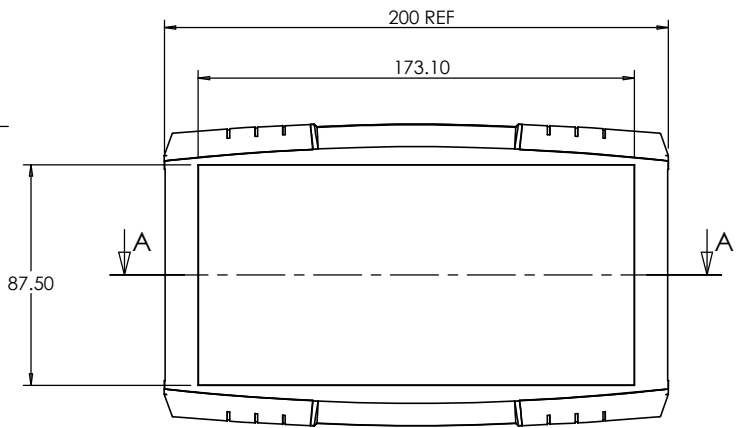


BASE

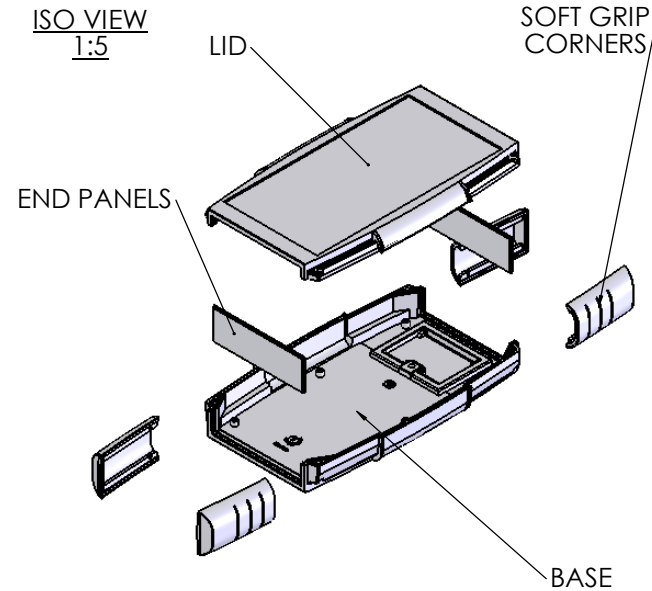


LID

ASSEMBLY



ISO VIEW
1:5



SOFT-GRIP CORNERS
SUPPLIED SEPARATELY

RE33133235

RE33133335

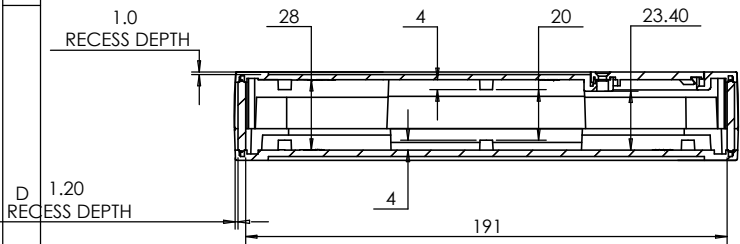
RE33133435

RE33133535

RE33133635

RE33133735

RE33133835



SECTION A-A



JAMES CARTER RD, MILDENHALL, SUFFOLK, IP28 7DE
TEL: 01638 716101 FAX: 01638 716554
E: Mail: Sales@CamdenBoss.com
WEB: www.CamdenBoss.com

UNLESS OTHERWISE SPECIFIED:
DIMENSIONS ARE IN MILLIMETERS

DO NOT SCALE DRAWING

REVISION. 0

FINISH.
LIGHT SPARK

TITLE:

GNL ASSEMBLY DRG FOR
33 SERIES

	NAME	SIGNED	DATE
DRAWN	L. SUBKHANKULOVA	LS	20/01/09
CHK'D	STUART HARDINGE	SJH	20/01/09

MATERIAL.
High Impact ABS
PROJECTION.

DWG NO.	RE33133306 - BLACK RE33133316 - GREY	A4
SCALE. 1 : 3	SHEET 1 OF 1	